

SINGER
115W103

LIST OF PARTS



MACHINE No. 115w103

INDEX

	PAGE
ACCESSORIES	26
BOBBIN WINDER	26
FEED DOGS	28
KNEE LIFTER	27
MACHINE No. 115w103	7
NEEDLE VIBRATING CAM	29
NUMERICAL LIST OF PARTS	31
OBSOLETE PARTS	30
PATTERN CAMS	29
RATCHET WHEELS	30
THREAD UNWINDER	28

From the library of: Diamond Needle Corp

Instructions for Ordering

In ordering from this list, use **ONLY** the **PART** number in the **FIRST** column.

The number stamped on a Sewing Machine Part is the number of the Single Part only, except when the part includes Set Screws, Clamping Screws, Studs and Rollers Spun on, Small Wires riveted, or Parts soldered together, etc., which it is necessary to furnish in combination.

Every combination of parts sent out has its specific number which, although not stamped on Parts (except in above cases) must be used when ordering the combination.

Each number always indicates the **SAME PART** in whatever list it appears, or for whatever Machine.

The letters after some of the numbers indicate the **style of finish only**, as follows:

- A. Hardened, Polished and Plated.
- B. Polished and Plated.
- C. Hardened only.
- D. Polished only.
- E. Soft, not polished.
- F. Hardened and Polished.
- H. Blued.

These letters **MUST BE USED** when they appear in the list and **AFTER** the number, as in the list.

In this series

- 1 to 1500 and 200001 to 201500 are Screw Numbers.
- 1501 to 1800 and 201501 to 201800 are Nut Numbers.
- 1801 to 2000 and 201801 to 202000 are Roller Numbers.
- 2001 to 50000, 202001 and upwards are Numbers of Machine Parts.

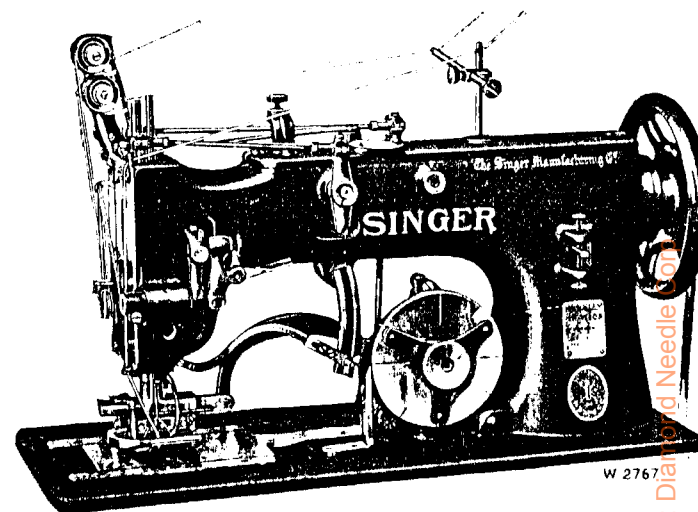
The figures in the second column refer only to the plate in which the illustration of the part is shown and are **NOT TO BE USED** in ordering.

Two or more numbers over a cut indicate that the difference between such parts is not visible in an illustration.

Parts marked with an asterisk (*) are furnished only when repairs are made at the factory.

LIST OF PARTS COMPLETE

FOR



MACHINE No. 115w103

No.	Plate	Name
*234850	—	Arm
234802	12535	" Cover with 202036
202003	12534	" " Cap
200468B	12534	" " " Thumb Screw
200040H	12534	" " Screw (2)
201299B	12534	" " Thread Guide
201525E	12534	" " " " Nut
222053	12538	" Oil Tube (front of arm) with 29599
29599	—	Arm Oil Tube Packing (felt)
8582	12538	" Position Pin (3)
123E	12538	" Screw (4)
221902	12561	" Shaft
221903	12560	" " Bushing (back)
159C	12538	" " " " Screw (3)
222025	12560	" " " " (center) with 202260
202260	—	Arm Shaft Bushing (center) Oil Packing (wick)

From the library of: Diarrhoid Needle Co.

No.	Plate	Name
200580d	12527	Feed Compensating Slide Block Cap Screw
234809	12534	Feed Compensating Slide Block Connection
234810	---	Feed Compensating Slide Block Connection 234809 with 1697c, 1698c, 38446 and 222023
*38443	---	Feed Compensating Slide Block Connection End Bearing (back)
222023	12579	Feed Compensating Slide Block Connection End Bearing 38443 with 679c, 42525 and two 187d ..
679c	12579	Feed Compensating Slide Block Connection End Bearing (back) Ball Screw Stud
*42525	---	Feed Compensating Slide Block Connection End Bearing (back) Cap
187d	12538	Feed Compensating Slide Block Connection End Bearing (back) Cap Screw
1697c	12538	Feed Compensating Slide Block Connection End Bearing (back) Check Nut
*38444	---	Feed Compensating Slide Block Connection End Bearing (front)
38446	12527	Feed Compensating Slide Block Connection End Bearing 38444 with 42524, 50016c and two 187d
50016c	12527	Feed Compensating Slide Block Connection End Bearing (front) Ball Screw Stud
1518E	12564	Feed Compensating Slide Block Connection End Bearing (front) Ball Screw Stud Nut
*42524	---	Feed Compensating Slide Block Connection End Bearing (front) Cap
187d	12538	Feed Compensating Slide Block Connection End Bearing (front) Cap Screw
1698c	12538	Feed Compensating Slide Block Connection End Bearing (front) Check Nut
224774	12525	Feed Dog
205F	12564	" " Screw (2)
221933	12564	" Driving Cam with 455c and 1299c

No.	Plate	Name
1299c	12564	Feed Driving Cam Position Screw
455c	12564	" " " Set Screw
24036	12564	" " " Sleeve
224769	12545	" " Rock Shaft with 443c
224770	---	" " " " 224769 with 221927 and 224761
202305	12564	Feed Driving Rock Shaft Center (2)
200043c	12564	" " " " " Set Screw (2)
224771	12526	Feed Driving Rock Shaft Crank with 178F
224772	12526	Feed Driving Rock Shaft Crank Connection
224773	---	Feed Driving Rock Shaft Crank Connection 224772 with 1518E, 1519c, 3033, 221941 and two 375c
201201F	12527	Feed Driving Rock Shaft Crank Connection Hinge Screw
200373c	12538	Feed Driving Rock Shaft Crank Connection Hinge Screw Set Screw
178F	12566	Feed Driving Rock Shaft Crank Pinch Screw
224779	12538	Feed Lifting Cam with 455c and 1299c
1299c	12564	Feed Lifting Cam Position Screw
455c	12564	" " " Set Screw
221937	12561	" " Rock Shaft
202305	12564	" " " " Center (2)
200043c	12564	" " " " " Set Screw (2)
221938	12566	Feed Lifting Rock Shaft Crank with 158F
23672	12589	Feed Lifting Rock Shaft Crank Connection with 12204 and two 145E
*12204	---	Feed Lifting Rock Shaft Crank Connection Cap
145E	12538	Feed Lifting Rock Shaft Crank Connection Cap Screw
375c	12566	Feed Lifting Rock Shaft Crank Connection Hinge Screw
1518E	12564	Feed Lifting Rock Shaft Crank Connection Hinge Screw Nut
158F	12538	Feed Lifting Rock Shaft Crank Pinch Screw
221941	12566	Feed Regulating Bell Crank with 201073E and 201624u
1128E	12566	Feed Regulating Bell Crank Hinge Screw

No.	Plate	Name
3033	12566	Feed Regulating Bell Crank Link
375c	12566	" " " " "
		Hinge Screw (lower)
1518E	12564	Feed Regulating Bell Crank Link
		Hinge Screw (lower) Nut
375c	12566	Feed Regulating Bell Crank Link
		Hinge Screw (upper)
1519E	12566	Feed Regulating Bell Crank Link
		Hinge Screw (upper) Nut
201073F	12566	Feed Regulating Screw Stud
201624H	12566	" " " " Check
		Nut
201217D	12566	Feed Regulating Thumb Screw (2)
221943	12567	Index Finger
175B	12567	" " Screw (2)
5596	12567	Knee Lifter Bell Crank
5599	12567	" " " " Bracket ..
178F	12566	" " " " " Screw
		(2)
5601	12567	Knee Lifter Bell Crank Hinge Pin
5735	12567	" " " " Spring ...
5598	12567	Knee Lifter Bell Crank complete,
		Nos. 5596, 5599, 5601 and 5735 ...
222089	12561	Knee Lifter Lifting Lever
222090	12567	" " " " Connect-
		ing Rod
12416	12567	Knee Lifter Lifting Lever Connect-
		ing Rod Joint
76c	12567	Knee Lifter Lifting Lever Connect-
		ing Rod Joint Hinge Screw
1521E	12567	Knee Lifter Lifting Lever Connect-
		ing Rod Lock Nut
200224H	12567	Knee Lifter Lifting Lever Hinge
		Screw
234852	12538	Looper
234812	12535	" Bar with 201259F
224838	12538	" " Bushing (2)
234813	12534	" " Collar with two 201052c
201052c	12534	" " " Set Screw
234814	12534	" " Driving Crank with 1340c
		and 201026c
1340c	12538	Looper Bar Driving Crank Position
		Screw
201026c	12534	Looper Bar Driving Crank Set
		Screw
222088	12538	Looper Driving Arm
222085	12541	" " " 222088 with
		2022, 200364F, 201884 and 222087

No.	Plate	Name
234815	12534	Looper Driving Arm Pitman
234816	-----	" " " " 234815
		with 1697c, 1698c, 38446, 222023
		and 234814
*38444	-----	Looper Driving Arm Pitman End
		Bearing (back)
38446	12527	Looper Driving Arm Pitman End
		Bearing 38444 with 42524, 50016c
		and two 187D
50016c	12527	Looper Driving Arm Pitman End
		Bearing (back) Ball Screw Stud
*42524	-----	Looper Driving Arm Pitman End
		Bearing (back) Cap
187D	12538	Looper Driving Arm Pitman End
		Bearing (back) Cap Screw
1698c	12538	Looper Driving Arm Pitman End
		Bearing (back) Check Nut
*38443	-----	Looper Driving Arm Pitman End
		Bearing (front)
222023	12579	Looper Driving Arm Pitman End
		Bearing 38443 with 679c, 42525
		and two 187D
679c	12579	Looper Driving Arm Pitman End
		Bearing (front) Ball Screw Stud
*42525	-----	Looper Driving Arm Pitman End
		Bearing (front) Cap
187D	12538	Looper Driving Arm Pitman End
		Bearing (front) Cap Screw
1697c	12538	Looper Driving Arm Pitman End
		Bearing (front) Check Nut
2022	12539	Looper Driving Arm Position Pin
201816	12546	" " " Roller
201884	-----	" " " " 201816
		with 201141c
201141	12539	Looper Driving Arm Roller Stud
200364F	12539	" " " " "
		Set Screw
222087	12539	Looper Driving Arm Shaft
222086	12539	" " " " Collar
		with 200380c
200380c	12539	Looper Driving Arm Shaft Collar
		Set Screw
234817	12535	Looper Driving Cam with 1285c and
		1490c
1285c	12575	Looper Driving Cam Position Screw
1490c	12579	" " " Set Screw ..
201259F	12534	" Screw
231390	12526	Needle Bar (hollow)

No.	Plate	Name
234856	12539	Needle Bar (left) Connecting Stud with 200386c
200386c	12539	Needle Bar (left) Set Screw
234857	12541	" " (right) with 200141r ..
234858	12539	" " " Connecting Stud with 202254
202254	—	Needle Bar (right) Connecting Stud Oil Packing (wick)
234859	12539	Needle Bar (right) Connecting Stud Swivel with 200386c
200386c	12539	Needle Bar (right) Set Screw
234860	12539	" " Connecting Link with 201887
201887	12539	Needle Bar Connecting Link Roller
234861	12539	" " " " Stud
1036c	12539	" " " " " Set Screw
1266c	12539	Needle Bar Connecting Link Stud Set Screw Check Screw
234862	12541	Needle Bar Frame with 201052c ..
234863	12539	" " " Center (upper)
234864	12539	" " " " " Bushing
449c	12539	Needle Bar Frame Center (upper) Bushing Set Screw
201052c	12534	Needle Bar Frame Center (upper) Set Screw
234865	12541	Needle Bar Frame Pitman with 200746c, 201531e, 204921 and two 200110b
200746c	12539	Needle Bar Frame Pitman Ball Screw
*204921	—	Needle Bar Frame Pitman Ball Screw Cap
200110b	12539	Needle Bar Frame Pitman Ball Screw Cap Screw
201531e	12539	Needle Bar Frame Pitman Ball Screw Nut
204922	12539	Needle Bar Frame Pitman Connection (adjustable)
204841	—	Needle Bar Frame Pitman Connection 204922 with 204923
234922	—	Needle Bar Frame Pitman Connection 204841 with 214054, 234865 and two 200110b
204923	12539	Needle Bar Frame Pitman Connection Bearing
214054	12539	Needle Bar Frame Pitman Connection Clamp Washer

No.	Plate	Name
200110b	12539	Needle Bar Frame Pitman Connection Clamp Washer Screw (2) ..
200791e	12540	Needle Bar Frame Pitman Connection Slide
229d	12540	Needle Bar Frame Pitman Connection Slide Stop Screw (lower) ..
226d	12540	Needle Bar Frame Pitman Connection Slide Stop Screw (upper) ..
202104	12540	Needle Bar Frame Pitman Connection Slide Washer
201581e	12540	Needle Bar Frame Pitman Connection Slide Wing Nut
234866	12541	Needle Bar Frame Regulator with 201886
201880	12540	Needle Bar Frame Regulator Roller
201886	12540	" " " " " " 201880 spun on stud
202574	12540	Needle Bar Frame Regulator Shaft Collar with 200380c
200380c	12539	Needle Bar Frame Regulator Shaft Collar Set Screw
303c	12540	Needle Bar Frame Screw Center (lower)
1517e	12540	Needle Bar Frame Screw Center (lower) Nut
234867	12540	Needle Holder (left) with 200130r and 201030r
200130r	12540	Needle Holder (left) Pinch Screw
201030r	12540	" " " Screw
200141r	12540	" (right) Set Screw
234868	12541	" Vibrating Cam
647r	12579	" " " Screw
14031	12540	Oscillating Rock Shaft with 4784 ..
22157	12540	" " " Crank with 735c
2049	12540	Oscillating Rock Shaft Crank Position Pin
735c	12540	Oscillating Rock Shaft Crank Set Screw
4784	—	Oscillating Rock Shaft Oil Pad
7317	12540	" Shaft
29048	12540	" " Crank
2049	12540	" " " Position Pin ..
15170	12540	" " " Slide Block ..
229d	12540	" " " " " Cap Screw
12424	—	Oscillating Shaft Crank Slide Block Cap Screw Washer

No.	Plate	Name
1035c	12540	Oscillating Shaft Crank Slide Block Screw Stud
1519E	12566	Oscillating Shaft Crank Slide Block Screw Stud Nut
15171	12540	Oscillating Shaft Crank Slide Block complete, Nos. 229D, 1035c, 12424 and 15170
735c	12540	Oscillating Shaft Crank Set Screw
29176	12540	Oscillating Shaft Crank complete, Nos. 735c, 1519e, 15171 and 29048
222005	12585	Pattern Cam
233165	12541	" " Friction Spring
222096	—	" " " " Button
222118	—	" " " " " "
		Rivet
233166	—	Pattern Cam Friction Spring com- plete, Nos. 222016, 233165, three each 222096 and 222118
201619E	12542	Pattern Cam Friction Spring Thumb Screw
234869	12542	Pattern Cam Position Pin
647F	12579	" " Screw
222016	12542	" " Washer
224780	12545	" Feed Plate
224835	12527	" " " " Driving Block
224837	—	" " " " " "
		224835 with 201864 and 224836 (2)
201864	12527	Pattern Feed Plate Driving Block Roller
224836	12527	Pattern Feed Plate Driving Block Roller Cap
200121E	12527	Pattern Feed Plate Driving Block Screw (4)
224782	12526	Pattern Feed Plate Driving Lever
201204c	12527	" " " " " "
		Hinge Screw Stud
1608c	12527	Pattern Feed Plate Driving Lever Hinge Screw Stud Nut
201857	12542	Pattern Feed Plate Driving Lever Roller
201022c	12542	Pattern Feed Plate Driving Lever Roller Stud
401D	12542	Pattern Feed Plate Driving Lever Roller Stud Cap Screw
1520E	12542	Pattern Feed Plate Driving Lever Roller Stud Nut

No.	Plate	Name
222020	12526	Pattern Feed Plate Gib (back) ..
222021	12526	" " " " (front) ..
211E	12542	" " " " Screw (6)
222018	12527	" " " " Pitman
224783	—	" " " " " 222018 with 1697c, 1698c, 38446 and 224784
*38444	—	Pattern Feed Plate Pitman End Bearing (left)
38446	12527	Pattern Feed Plate Pitman End Bearing 38444 with 42524, 50016c and two 187D
50016c	12527	Pattern Feed Plate Pitman End Bearing (left) Ball Screw Stud
1519E	12566	Pattern Feed Plate Pitman End Bearing (left) Ball Screw Stud Nut
*42524	—	Pattern Feed Plate Pitman End Bearing (left) Cap
187D	12538	Pattern Feed Plate Pitman End Bearing (left) Cap Screw
1698c	12538	Pattern Feed Plate Pitman End Bearing (left) Check Nut
*38443	—	Pattern Feed Plate Pitman End Bearing (right)
224784	—	Pattern Feed Plate Pitman End Bearing 38443 with 42525, 201208c and two 187D
201208c	12527	Pattern Feed Plate Pitman End Bearing (right) Ball Screw Stud
1520E	12542	Pattern Feed Plate Pitman End Bearing (right) Ball Screw Stud Nut
224826	12527	Pattern Feed Plate Pitman End Bearing (right) Ball Screw Stud Washer
*42525	—	Pattern Feed Plate Pitman End Bearing (right) Cap
187D	12538	Pattern Feed Plate Pitman End Bearing (right) Cap Screw
1697c	12538	Pattern Feed Plate Pitman End Bearing (right) Check Nut
234870	12541	Presser Bar
2062A	12527	" " Lifter
36E	12527	" " " Hinge Screw ..
234871	12542	" " Lifting Bracket with 453c
453c	12528	Presser Bar Lifting Bracket Set Screw

No.	Plate	Name
234822	12541	Presser Bar Spring (flat)
202036	12528	" " " Position Pin ..
201286B	12536	" " " Regulating Thumb Screw
224789	12529	Presser Foot Bracket
224790	12529	" " " Support with 200069F and three 201203F
200069F	12528	Presser Foot Bracket Support Pinch Screw
201203F	12528	Presser Foot Bracket Support Screw
224791	12528	Presser Foot Cord Guide (spring)
224792	12528	" " " " Arm
200132D	12528	" " " " " Screw
202603	12528	" " " " " " " Washer
201202D	12528	Presser Foot Cord Guide Screw ..
224793	12528	" " " Plate (left or right) (2)
206775	12528	Presser Foot Plate Hinge Pin (2)
224794	-----	" " " Shank (2)
224795	12528	" " " " Guide Block
200055D	12528	" " " " " " Screw (4)
224796	12528	Presser Foot Shank Swivel (2)
224797	12528	" " " " " Hinge Con- nection
201260B	12528	Presser Foot Shank Swivel Hinge Connection Stop Screw
224798	12528	Presser Foot Smoothing Plate
222043	12528	" " " " " Hinge Pin
224799	12528	Presser Foot Smoothing Plate Shank
202109	12528	Presser Foot Smoothing Plate Spring
224800	12528	Presser Foot Smoothing Plate Stop
200172D	12528	" " " " " " Screw
224801	12528	Presser Foot Smoothing Spring (flat)
234875	12542	Presser Foot Smoothing Spring Arm
202108	12531	Presser Foot Smoothing Spring Arm Position Pin (2)
200064F	12531	Presser Foot Smoothing Spring Arm Screw
224803	12531	Presser Foot Smoothing Spring Reinforcement

No.	Plate	Name
335F	12576	Presser Foot Smoothing Spring Screw
234876	12543	Presser Foot (hinged) (compensat- ing) complete, Nos. 200064F, 200132D, 201202D, 201260B, 202109, 202603, 222043, 224789 to 224792, 224795, 224797 to 224801, 224803, 234875, two each 335F, 200172D, 202108, 206775, 224793, 224794, 224796 and four 200055D
224805	12531	Presser Foot Driving Block
200574E	12531	" " " " " Screw (2)
224806	12529	Presser Foot Driving Link
200272D	12531	" " " " " Hinge Screw (2)
221956	12531	Presser Foot Lifting Cam
402D	12531	" " " " " Screw ..
221957	12542	" " " " " Lever with 1186C
222067	12574	" " " " " Driving Lever with 221960 and 221961 ..
200696E	12574	Presser Foot Lifting Lever Driving Lever Interlocking Stud
222068	12574	Presser Foot Lifting Lever Driving Lever Interlocking Stud Bracket with 200362C
200362C	12574	Presser Foot Lifting Lever Driving Lever Interlocking Stud Bracket Set Screw
201625A	12574	Presser Foot Lifting Lever Driving Lever Interlocking Stud Nut ..
222069	12574	Presser Foot Lifting Lever Driving Lever Interlocking Stud Releaser
200280B	12574	Presser Foot Lifting Lever Driving Lever Interlocking Stud Releaser Hinge Screw
222070	12574	Presser Foot Lifting Lever Driving Lever Interlocking Stud Spring ..
222084	-----	Presser Foot Lifting Lever Driving Lever Interlocking Stud Bracket complete, Nos. 200280B, 200696E, 201625A and 222068 to 222070 ...
221960	12574	Presser Foot Lifting Lever Driving Lever Roller
221961	12574	Presser Foot Lifting Lever Driving Lever Roller Stud
221962	12574	Presser Foot Lifting Lever Driving Lever Spring

No.	Plate	Name
1186c	12531	Presser Foot Lifting Lever Pinch Screw
234872	12542	Presser Foot Lifting Lever Shaft..
222009	12575	Ratchet Pawl
221997	12575	" " Bell Crank with 38442 and two 185c
234877	-----	Ratchet Pawl Bell Crank 221997 with 228d, 1654c, 200161d, 201300c, 222009 and 234878
38442	12575	Ratchet Pawl Bell Crank Ball Stud
446c	12542	" " " " " " " " Set Screw
185c	12575	Ratchet Pawl Bell Crank Screw ..
200161d	12542	" " Cap Screw
*38127	-----	" " Driving Eccentric ...
*222073	-----	" " " " " Body
1285c	12575	" " " " " " " " Position Screw
443c	12575	Ratchet Pawl Driving Eccentric Body Set Screw
21331	12575	Ratchet Pawl Driving Eccentric Pressure Spring
21332	12575	Ratchet Pawl Driving Eccentric Pressure Spring Cap
934d	12575	Ratchet Pawl Driving Eccentric Pressure Spring Cap Screw
1103c	12575	Ratchet Pawl Driving Eccentric Regulating Screw
196F	12575	Ratchet Pawl Driving Eccentric Set Screw
222074	12575	Ratchet Pawl Driving Eccentric complete, Nos. 196F, 443c, 934d, 1103c, 1285c, 21331, 21332, 38127 and 222073
222075	12529	Ratchet Pawl Driving Pitman with 446c and two 145E
145E	12538	Ratchet Pawl Driving Pitman Screw
201300c	12542	" " Hinge Screw Stud ...
1654c	12575	" " " " " " Nut
234878	12544	" " Spring
228d	12575	" " " Screw
222062	12543	" Wheel, 132 teeth
234901	-----	" " 222062 with 234869 ...
234880	12544	" " Stop with 222012
222012	12575	" " " Position Pin
200615F	12544	" " " " " Screw ...
222013	12575	" " " Spring
234881	12543	" " Stud
234882	12545	" " " Bracket

No.	Plate	Name
2049	12540	Ratchet Wheel Stud Bracket Position Pin (2)
134d	12575	Ratchet Wheel Stud Bracket Screw (3)
1504E	12575	Ratchet Wheel Stud Nut
234883	-----	Ratchet Wheel Stud Bracket complete, Nos. 401d, 1504E, 1520E, 1608c, 200615F, 201022c, 201204c, 201619E, 201857, 222005, 224782, 233166, 234868, 234877, 234880 to 234882, 234901 and four 647F ...
2996	12574	Shuttle Bobbin
224840	-----	" " Case
15141	-----	" " " Hinge, Nos. 2973, 2974 and 15140
15140	12571	Shuttle Bobbin Case Latch
2973	12574	" " " " Lever ..
2974	12574	" " " " " " Fulcrum Pin
2975	12574	Shuttle Bobbin Case Latch Spring
592E	12574	" " " " " Stop Screw
7553	12531	Shuttle Bobbin Case Position Finger
2523	-----	Shuttle Bobbin Case Position Finger Rivet
224842	12536	Shuttle Bobbin Case Tension Spring
591F	12574	Shuttle Bobbin Case Tension Spring Regulating Screw
224841	12536	Shuttle Bobbin Case complete, Nos. 591F, 592E, 2523, 2975, 7553, 15141, 222840 and 222842
15728	12576	Shuttle Body
*22171	-----	" Driver
22172	12536	" " 22171 with two 462c..
2049	12540	" " Position Pin
462c	12576	" " Set Screw
224810	12589	" Pitman
224811	-----	" " 224810 with 201520c, 201640c, 224812 and 224813
222099	12576	Shuttle Pitman Bell Crank
221968	12576	" " " " " Hinge Pin
443c	12575	Shuttle Pitman Bell Crank Hinge Pin Set Screw
224812	12544	Shuttle Pitman End Bearing (left)
201640c	12544	" " " " " " Check Nut

No.	Plate	Name
224813	12544	Shuttle Pitman End Bearing (right)
201520c	12544	" " " " "
		Check Nut
374c	—	Shuttle Pitman Hinge Screw (2)
1518e	12564	" " " " Nut
		(2)
39969	12531	Shuttle Race Back
2532	12576	" " " Position Pin ..
2533	12531	" " " Spring
648d	12576	" " " " Screw ..
224831	12529	" " Body
145f	12538	" " " Screw (2)
224829	12529	" " Bracket
224814	12544	" " " Adjusting Slide
14105	12576	" " " " " "
		Position Pin (2)
211f	12542	Shuttle Race Bracket Adjusting Slide Screw (2)
146d	12576	Shuttle Race Bracket Screw (3) ..
234823	—	Shuttle Race Bracket complete, Nos. 7317, 14031, 22157, 22172, 29176, 224829 and three 2049
7326	12544	Shuttle Race Cap
662d	12544	" " " Screw
234885	—	Shuttle Race complete, Nos. 648d, 2533, 7326, 39969, 224831, two each 662d and 2532
234824	12536	Spreader
234899	12544	" Arm with 1340c and 201026c
234826	12536	" " Crank with 1340c and 201026c
1340c	12538	Spreader Arm Crank Position Screw
201026c	12534	Spreader Arm Crank Set Screw ..
234827	12536	" " " Shaft
224838	12538	" " " " Bushing (2)
234813	12534	Spreader Arm Crank Shaft Collar with two 201052c
201052c	12534	Spreader Arm Crank Shaft Collar Set Screw
1340c	12538	Spreader Arm Position Screw
201026c	12534	" " Set Screw
222088	12538	" Driving Arm
222085	12541	" " " 222088 with 2022, 200364f, 201884 and 222087
234829	12543	Spreader Driving Arm Pitman
234830	—	" " " " 234829 with 222023, 224828, 234826, two each 1697c and 1698c

No.	Plate	Name
*38444	—	Spreader Driving Arm Pitman End Bearing (back)
224828	12579	Spreader Driving Arm Pitman End Bearing 38444 with 42524, 201214c and two 187d
201214c	12579	Spreader Driving Arm Pitman End Bearing (back) Ball Screw Stud
*42524	—	Spreader Driving Arm Pitman End Bearing (back) Cap
187d	12538	Spreader Driving Arm Pitman End Bearing (back) Cap Screw
1698c	12538	Spreader Driving Arm Pitman End Bearing (back) Check Nut
*38443	—	Spreader Driving Arm Pitman End Bearing (front)
222023	12579	Spreader Driving Arm Pitman End Bearing 38443 with 679c, 42525 and two 187d
679c	12579	Spreader Driving Arm Pitman End Bearing (front) Ball Screw Stud
*42525	—	Spreader Driving Arm Pitman End Bearing (front) Cap
187d	12538	Spreader Driving Arm Pitman End Bearing (front) Cap Screw
1697c	12538	Spreader Driving Arm Pitman End Bearing (front) Check Nut
2022	12539	Spreader Driving Arm Position Pin
201816	12546	" " " Roller
201884	—	" " " " 201816 with 201141c
201141	12539	Spreader Driving Arm Roller Stud
200364f	12539	" " " " " " Set Screw
222087	12539	Spreader Driving Arm Shaft
222086	12539	" " " " Collar with 200380c
200380c	12539	Spreader Driving Arm Shaft Collar Set Screw
234831	12543	Spreader Driving Cam with 1285c and 1490c
1285c	12575	Spreader Driving Cam Position Screw
1490c	12579	Spreader Driving Cam Set Screw ..
226d	12540	" Screw (2)
234889	12543	Tension Bracket with 454c, 941c and 221989
647f	12579	Tension Bracket Screw (2)

No.	Plate	Name
234890	12543	Tension Bracket complete, Nos. 231c, 1043c, 22179, 200812c, 201302c, 221988, 222038, 224824, 234889, 234892, 234895, 234898, two each 724b, 1560b, 2102, 10148, 234834 and 234891
234891	12544	Tension (lower) Disc
10148	12544	" " Spring
201302c	12544	" " Stud
196b	12575	" " Set Screw
1560b	12544	" " Thumb Nut
234892	12544	" " Washer
1043c	12579	" (upper) Stud
2102	12544	" Disc (upper)
224824	12533	" Releaser
221988	12579	" " Adjusting Piece
231c	12544	" " " " Screw
724b	12579	" " Screw
222038	12579	" " Spring
221989	12579	" " " Hook
10148	12544	" Spring (upper)
196b	12575	" Stud Set Screw (upper)
1560b	12544	" Thumb Nut (upper)
221990	12579	Thread Guide (lower)
12149	12579	" " (upper)
✓ 234893	12544	" Nipper Lever
200123b	12544	" " " Cap Screw
234894	12544	" " " Crank with two 200f
200f	12544	Thread Nipper Lever Crank Set Screw
200812c	12544	Thread Nipper Lever Hinge Screw Stud
✓ 234896	12546	Thread Nipper Lever Link
201297c	12546	" " " Hinge Screw (2)
234895	12546	Thread Nipper Lever Plunger
222054	12543	" Take-up Cam with 448c, 713c and 1036c
234897	—	Thread Take-up Cam 222054 with 1266c, 221956, 234856, 234858 to 234861 and two 402b
743o	12579	Thread Take-up Cam Position Screw
448c	12538	Thread Take-up Cam Set Screw
224833	12533	" " Lever with 201891 and 222103

No.	Plate	Name
77b	—	Thread Take-up Lever Hinge Screw
201891	12546	" " " Roller
222103	12546	" " " Cap
2410	12546	" " Roller
810b	12546	" " " Stop Screw
221994	12546	" " " Stud
221995	—	" " " " 221994 with 810b and two 2410
446c	12542	Thread Take-up Roller Stud Set Screw
234834	12536	Thread Take-up Spring
234898	12546	" " " Regulator (lower) with 196b
941c	12546	Thread Take-up Spring Regulator (lower) Position Screw
22179	12546	Thread Take-up Spring Regulator (upper) with 196b
454c	12564	Thread Take-up Spring Regulator (upper) Set Screw
224825	12525	Throat Plate
200583b	12536	" " Screw (4)

No.	Plate	Name
356c	12581	Rock Shaft Lifting Bracket Set Screw
2770	12561	Rock Shaft Stop Dog with 356c ..
356c	12581	" " " " Set Screw ..

(Other Knee Lifter Parts are listed with parts of machine head).

THREAD UNWINDER

For Four Large Spools or Four Large Cones of Thread.

27623	12586	Spool Pin
155c	12581	" " Set Screw
41534	12586	" Rest
41535	-----	" " 41534 with 1149c, four each 155c and 27623
1149c	12581	Spool Rest Set Screw
27940	12586	" Stand with 453c
41514	12586	" Weight, 4 in. diam., with 41515
41515	12586	" " Center Pin
27739	12586	Thread Cone (wood)
41633	12586	" Guard with 208E and four 41569
41569	12586	Thread Guard Eyelet
41637	12586	" " Rod (lower)
41638	12586	" " " (upper)
41639	12586	" " " Coupling with two 456c
456c	12546	Thread Guard Rod Coupling Set Screw
41640	-----	Thread Guard Rod complete, 30 in. long, Nos. 41637 to 41639
453c	12528	Thread Guard Rod Set Screw
208E	12546	" " Screw
60685	-----	" Unwinder, Nos. 27940, 41535, 41633, 41640, three wood screws 1 in., No. 12 and four 27739
41537	12586	Thread Unwinder complete, for four large spools or four large cones of thread, Nos. 60685 and four 41514

FEED DOGS

224774	12525	Feed Dog, for 224825
224775	12525	" " (coarse), for 224825

NEEDLE VIBRATING CAMS

No.	Plate	Name
234868	12541	Needle Vibrating Cam, for use with 222005
234903	-----	Needle Vibrating Cam, for use with 222005
234904	-----	Needle Vibrating Cam, for use with 222033
234905	-----	Needle Vibrating Cam, for use with 222005
234906	-----	Needle Vibrating Cam, for use with 222026
234907	-----	Needle Vibrating Cam, for use with 222049

PATTERN CAMS

222005	12585	Pattern Cam
222026	12585	" "
222027	12585	" "
222028	12585	" "
222029	12585	" "
222030	12585	" "
222031	12585	" "
222032	12585	" "
222033	12585	" "
222034	12585	" "
222035	12585	" "
222036	12585	" "
222049	12585	" "
222079	12585	" "
222092	12585	" "
222121	12587	" "
222122	12587	" "
222123	12587	" "
222124	12587	" "
222125	12587	" "
222126	12587	" "
222127	12587	" "
222128	-----	" "

From the library of: Diamond Needle Corp

RATCHET WHEELS

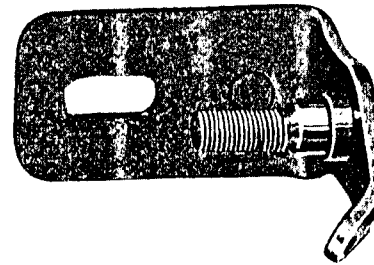
No.	Plate	Name
222061	—	Ratchet Wheel, 116 teeth
234900	—	" " 222061 with 234869
222062	12543	" " 132 teeth
234901	—	" " 222062 with 234869
222063	—	" " 144 teeth
234902	—	" " 222063 with 234869

OBSOLETE PARTS

27552	12584	Base
27302	12584	Frame
27303	12581	" Spring
27553	12584	Pulley
27538	12581	Spindle with 15072
27306	12581	Spool Pin
27307	12584	" Stand
27308	12584	Spool Stand complete, Nos. 418D, 1562J, 2106, 10141, 11241, 27306, 27307, two each 2455 and wood screws 1 in., No. 10
27312	12581	Stop Latch
2455	12581	Tension Disc
10141	12581	" Spring
2106	12581	" Thread Guard
27650	12584	Bobbin Winder, Nos. 35D, 1620J, 27302, 27303, 27312, 27538, 27552, 27553, 50356D and two wood screws 1 in., No. 7

PLATE 10881—FULL SIZE

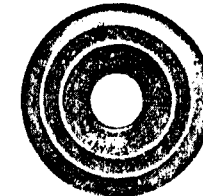
225461



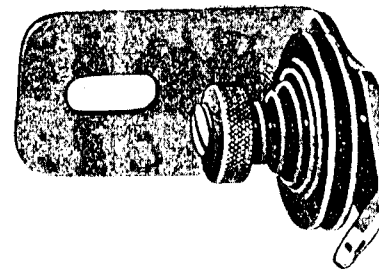
200082 202104



2102



225462



202407



201499



201572



From the library of: Diamond Needle Corp

PLATE 10882—FULL SIZE

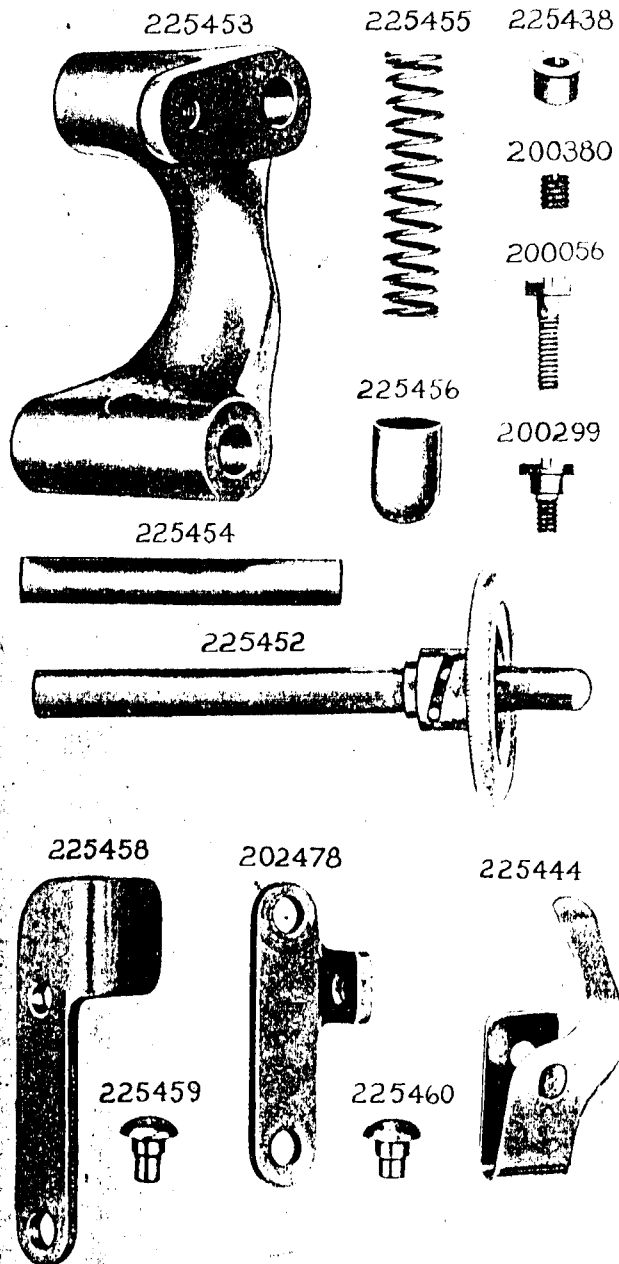
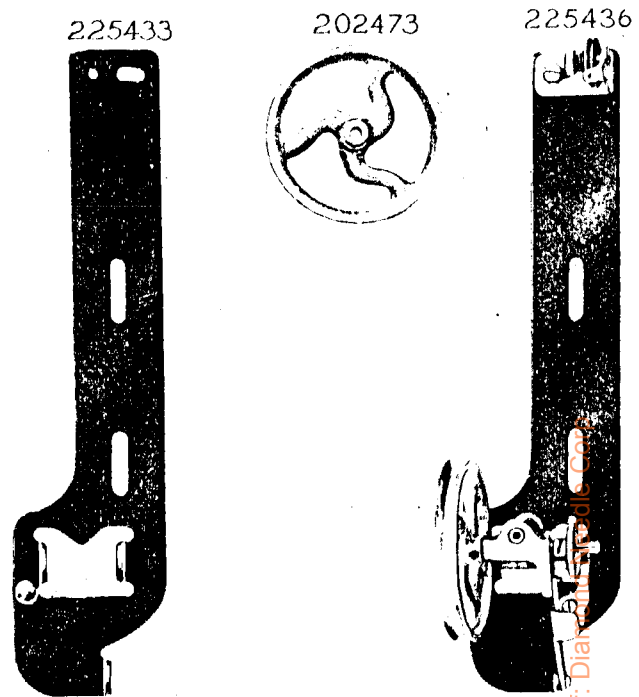


PLATE 10883 ONE-FOURTH SIZE



From the library of: DiakSpartan.com

PLATE 12525-FULL SIZE

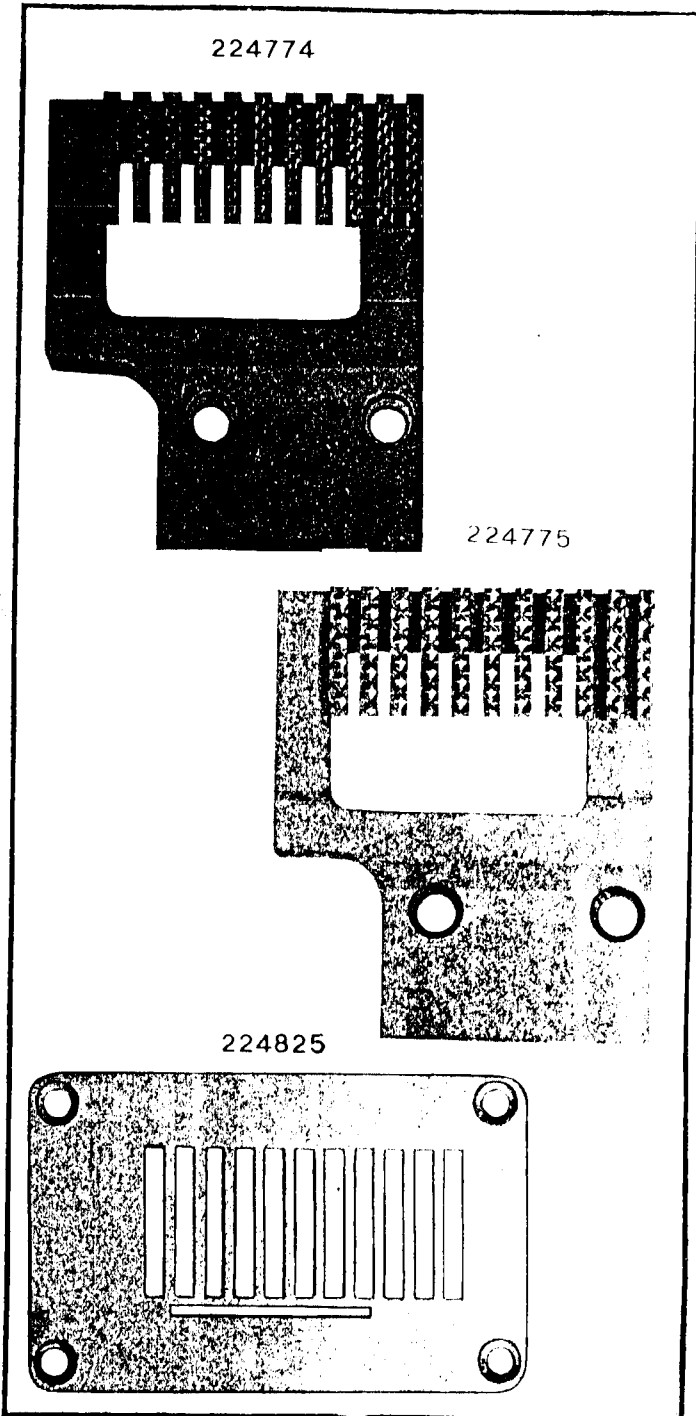


PLATE 12526-ONE-HALF SIZE

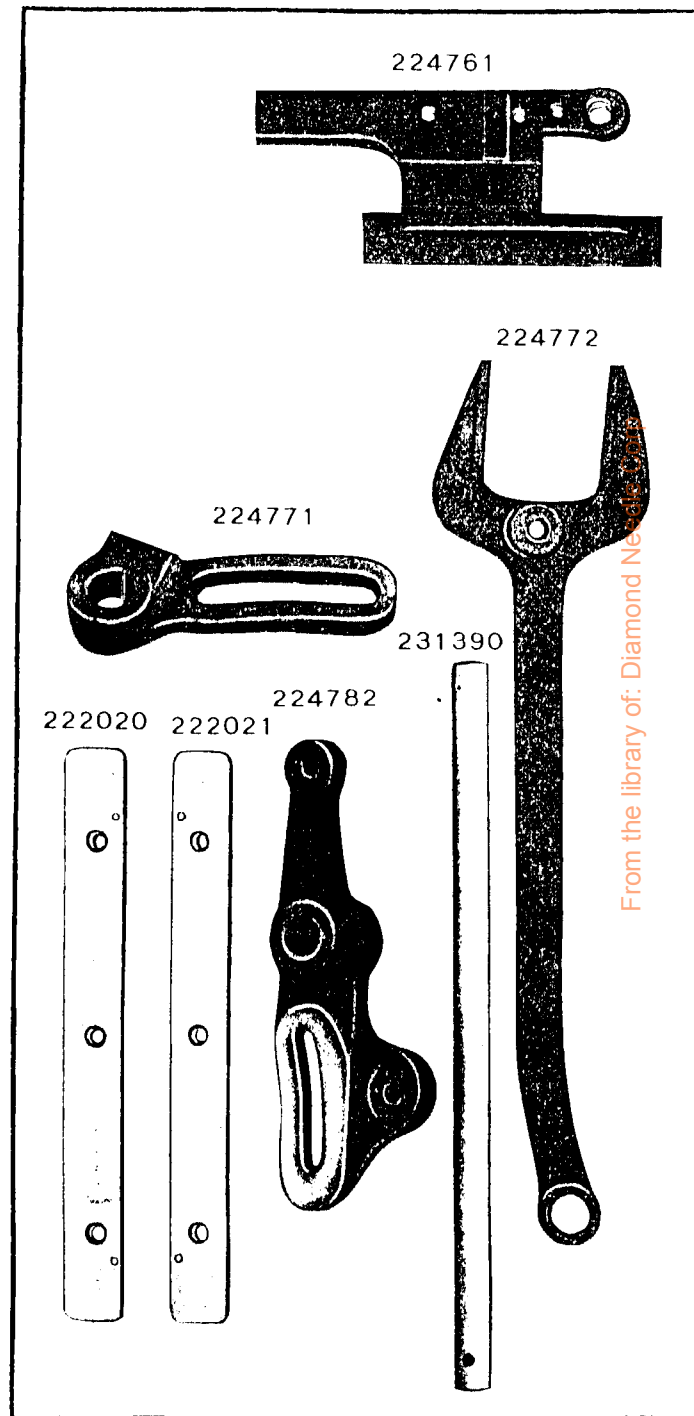


PLATE 12527-FULL SIZE

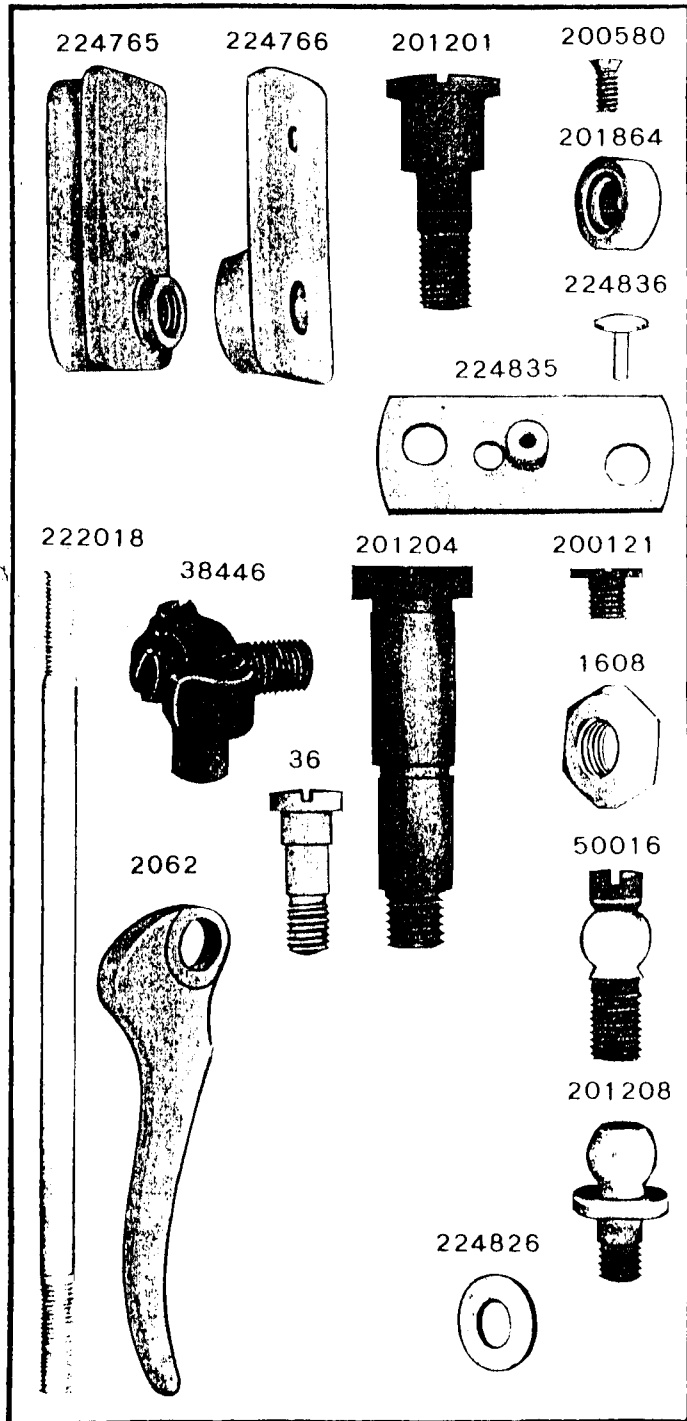


PLATE 12528-FULL SIZE

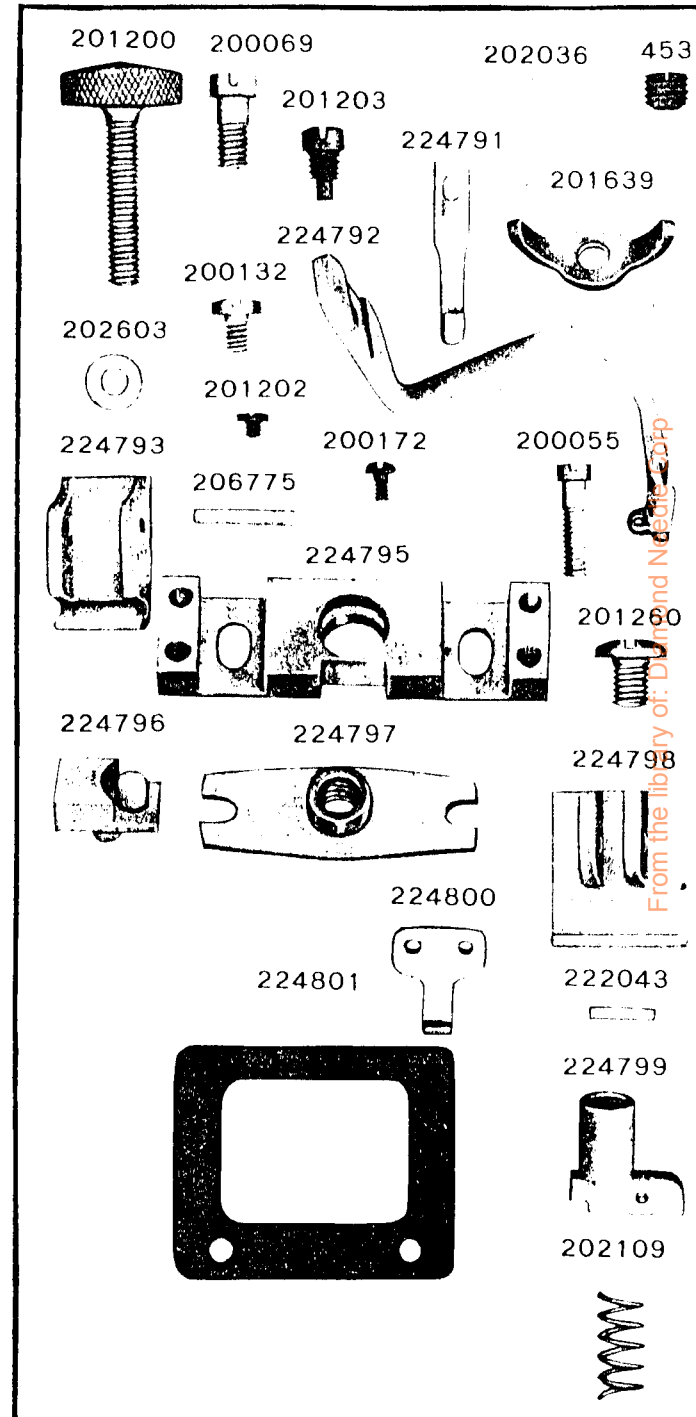


PLATE 12529—ONE-HALF SIZE

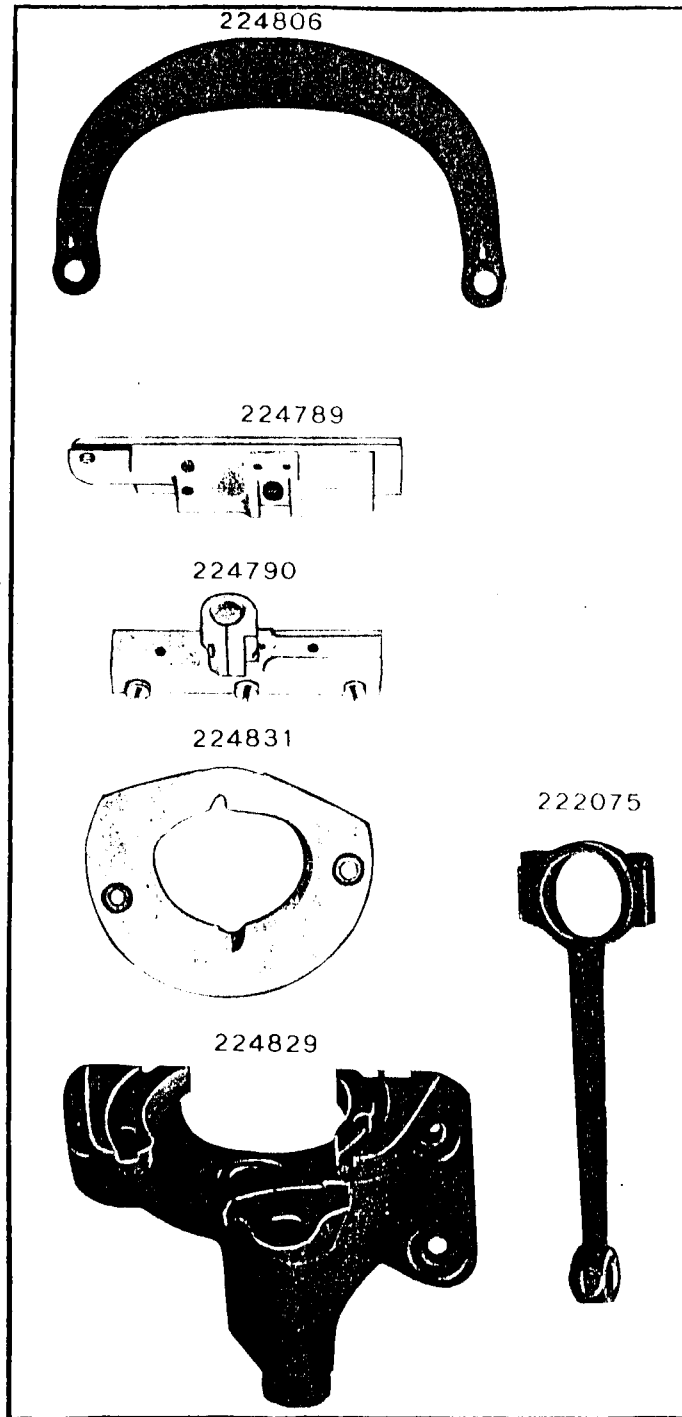
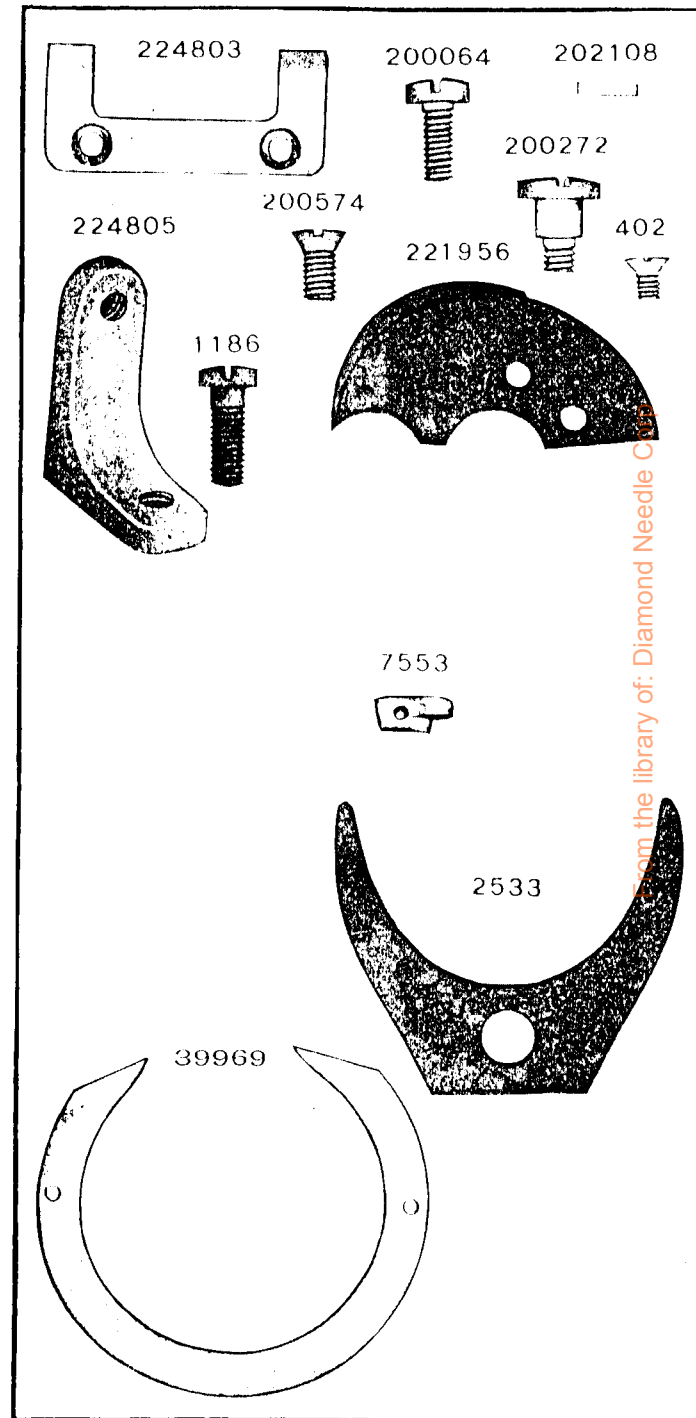


PLATE 12531—FULL SIZE



from the library of: Diamond Needle Co.

PLATE 12533-FULL SIZE

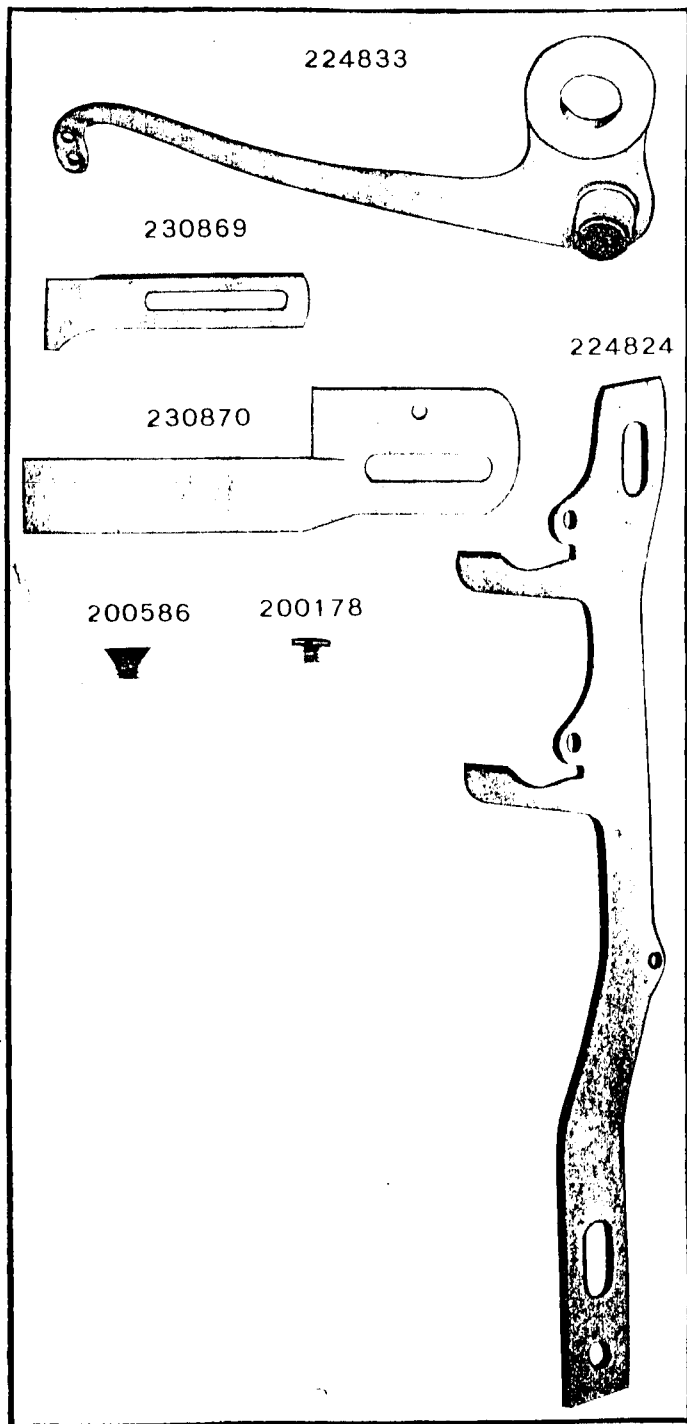


PLATE 12534-FULL SIZE

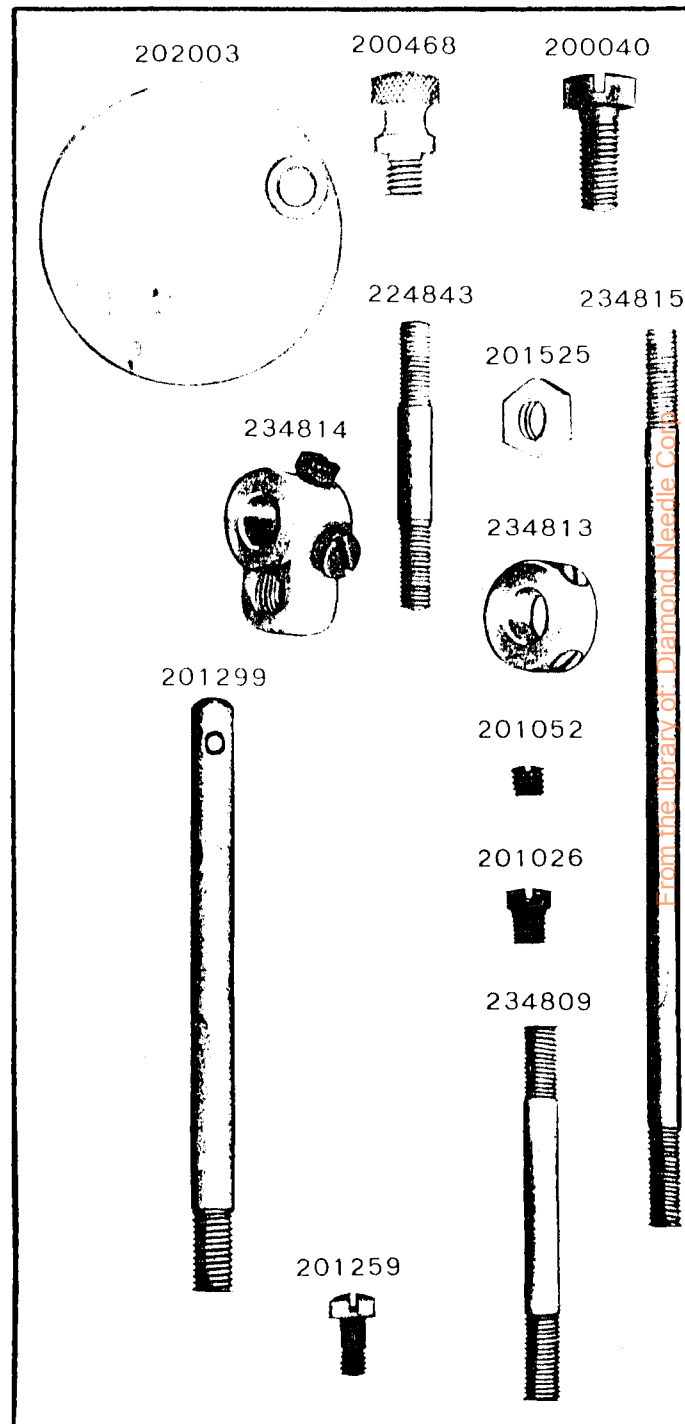


PLATE 12535 - ONE-HALF SIZE

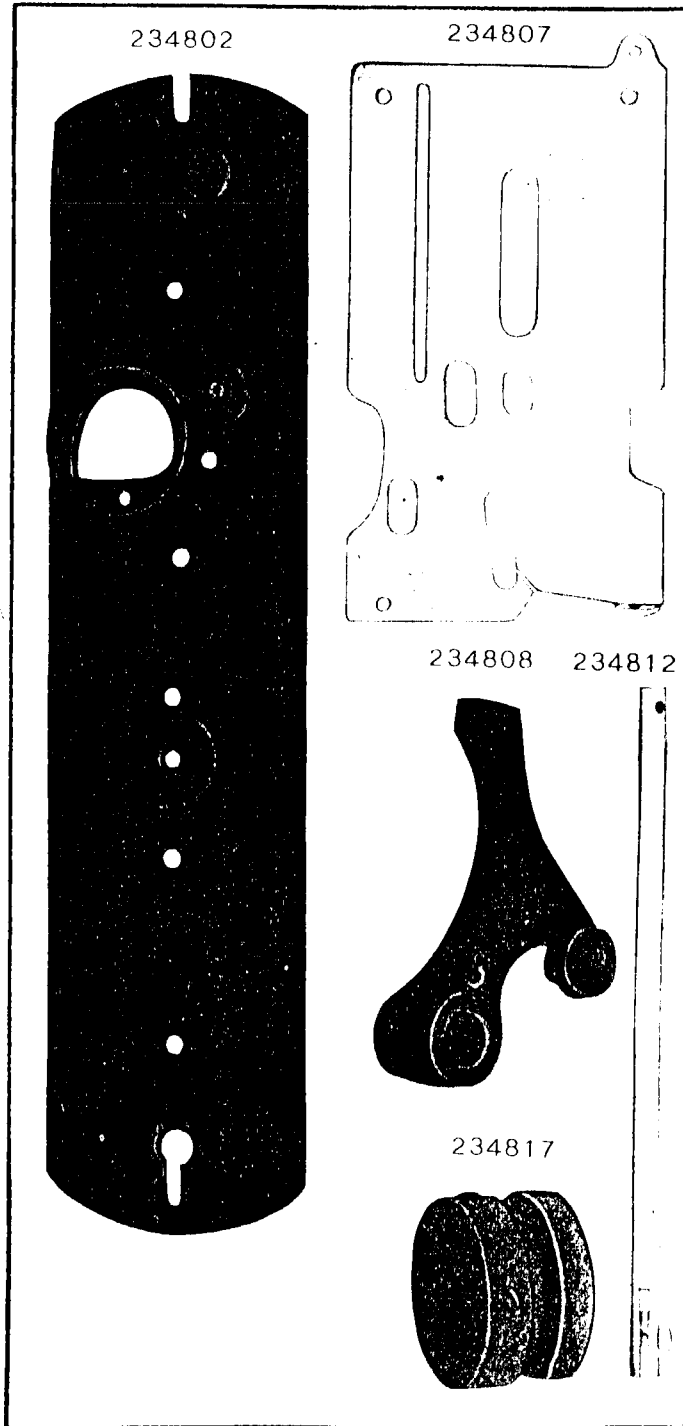
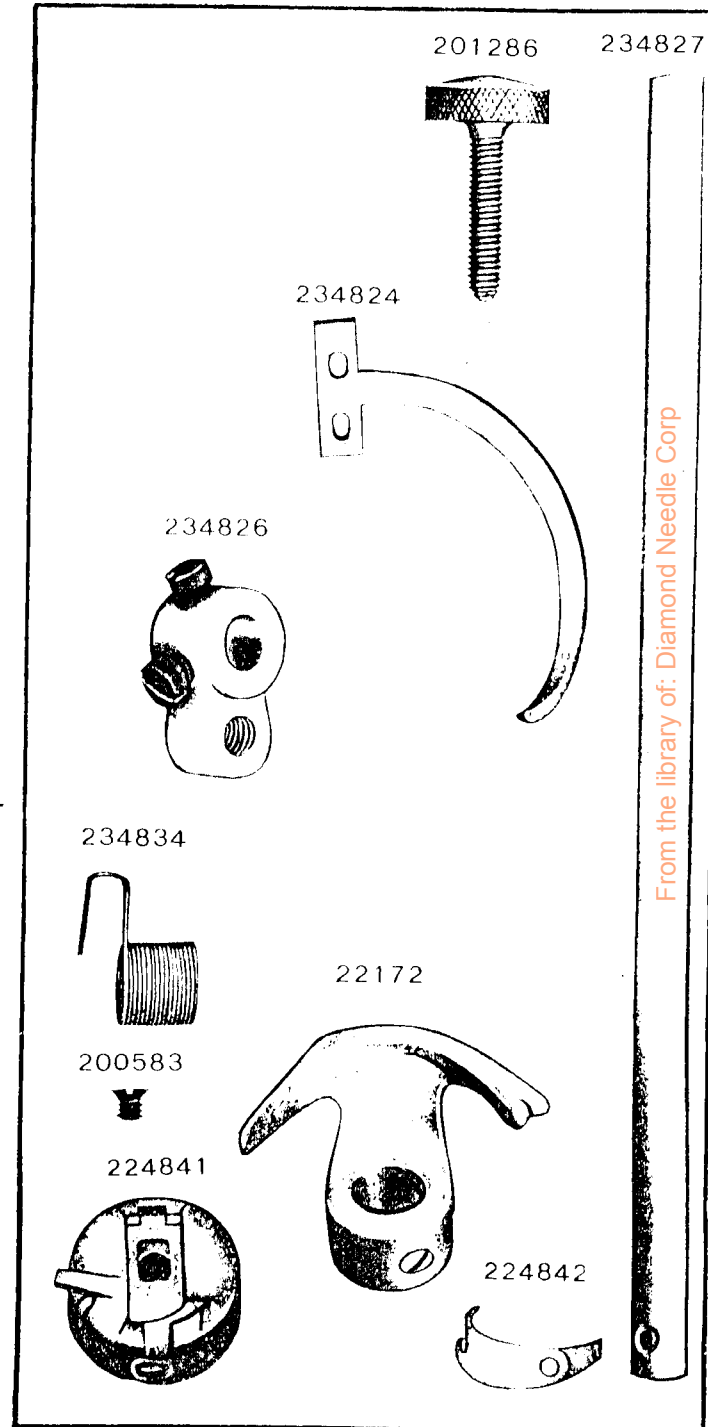


PLATE 12536 - FULL SIZE



From the library of: Diamond Needle Corp

PLATE 12538—FULL SIZE

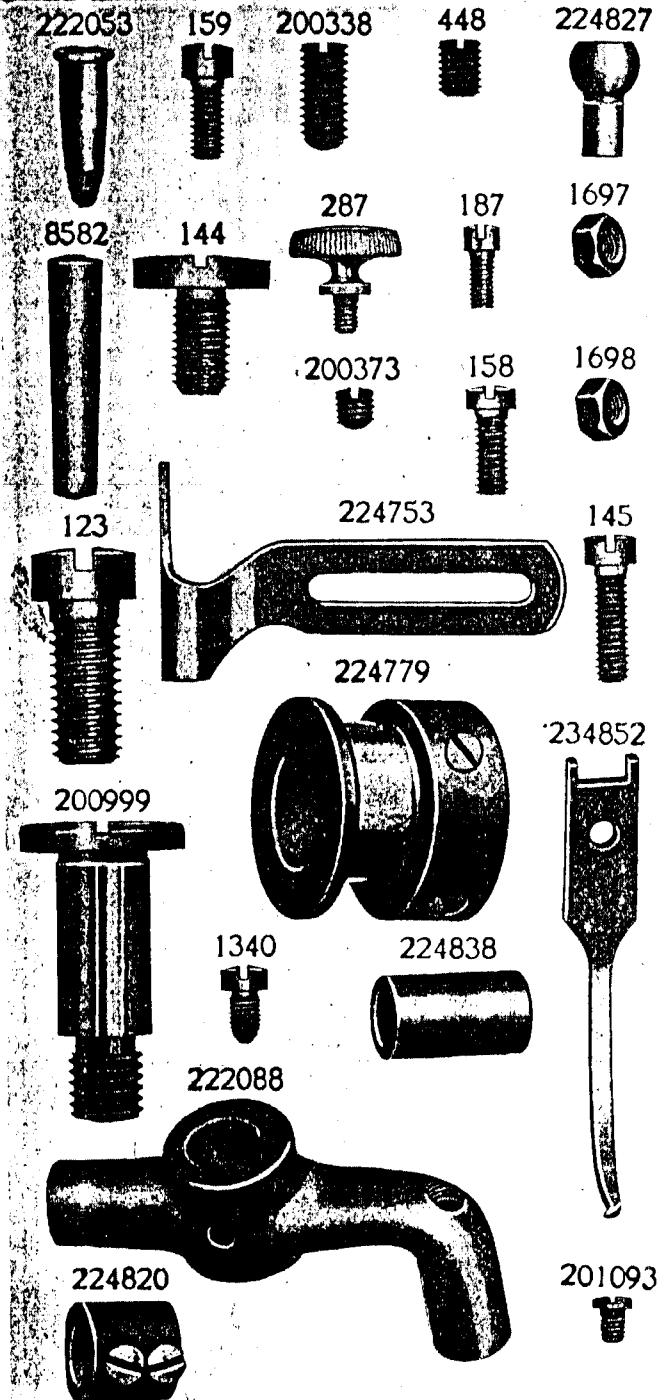


PLATE 12539—FULL SIZE

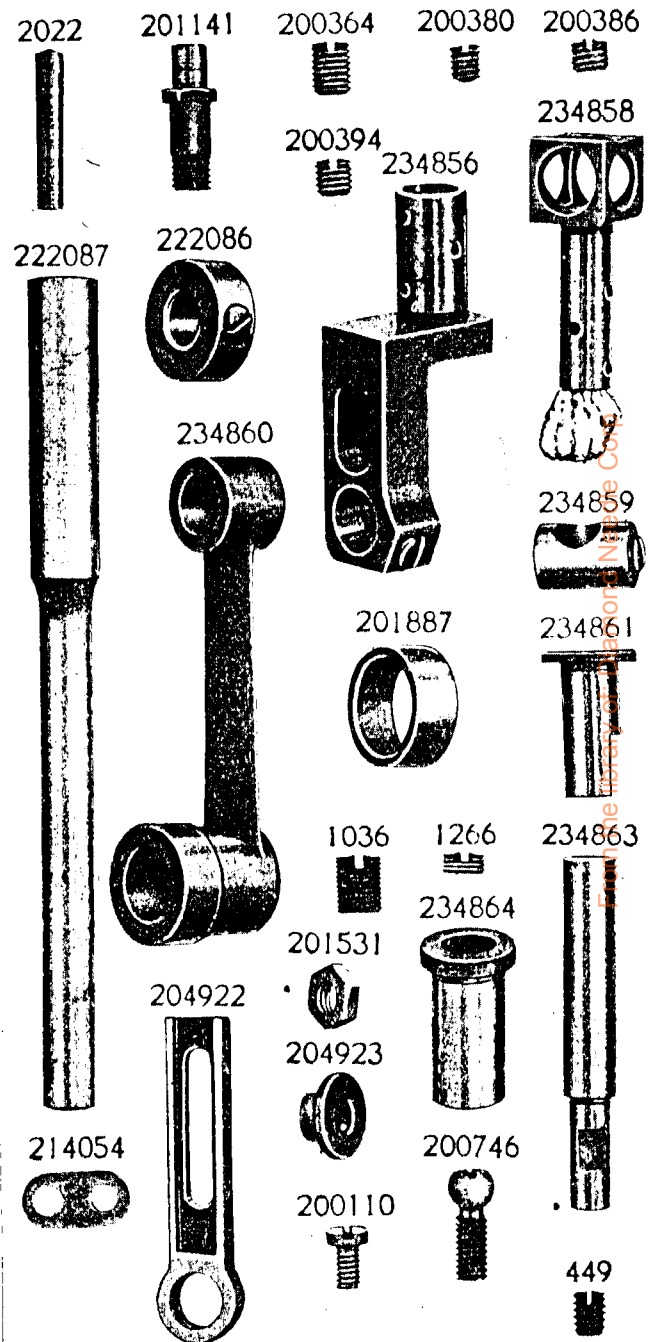


PLATE 12540—FULL SIZE

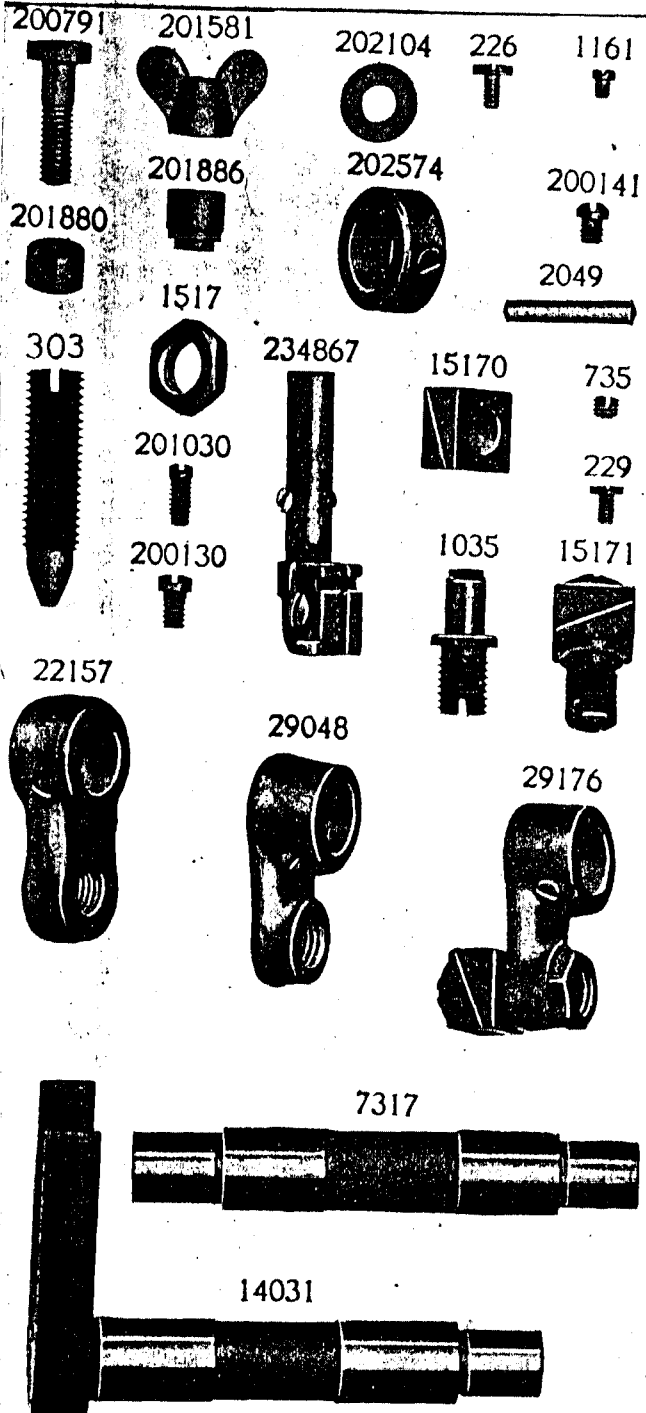


PLATE 12541—ONE-HALF SIZE

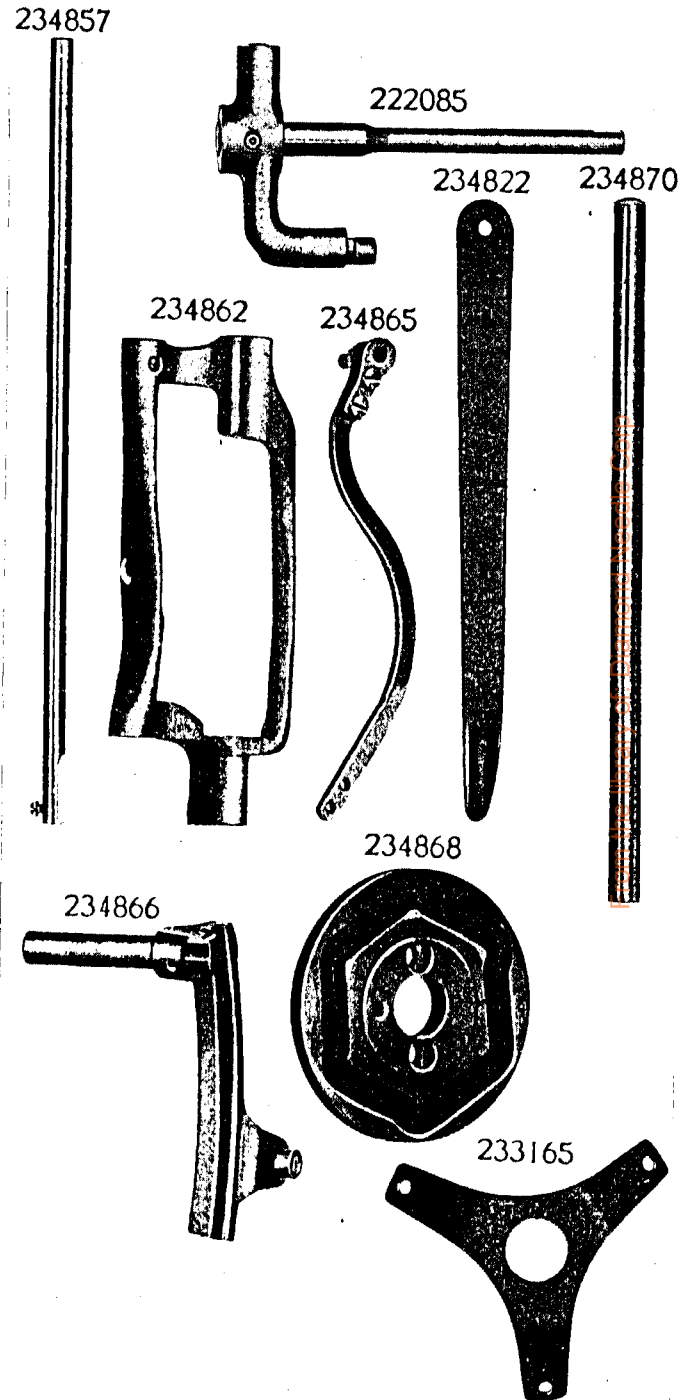


PLATE 12542—FULL SIZE

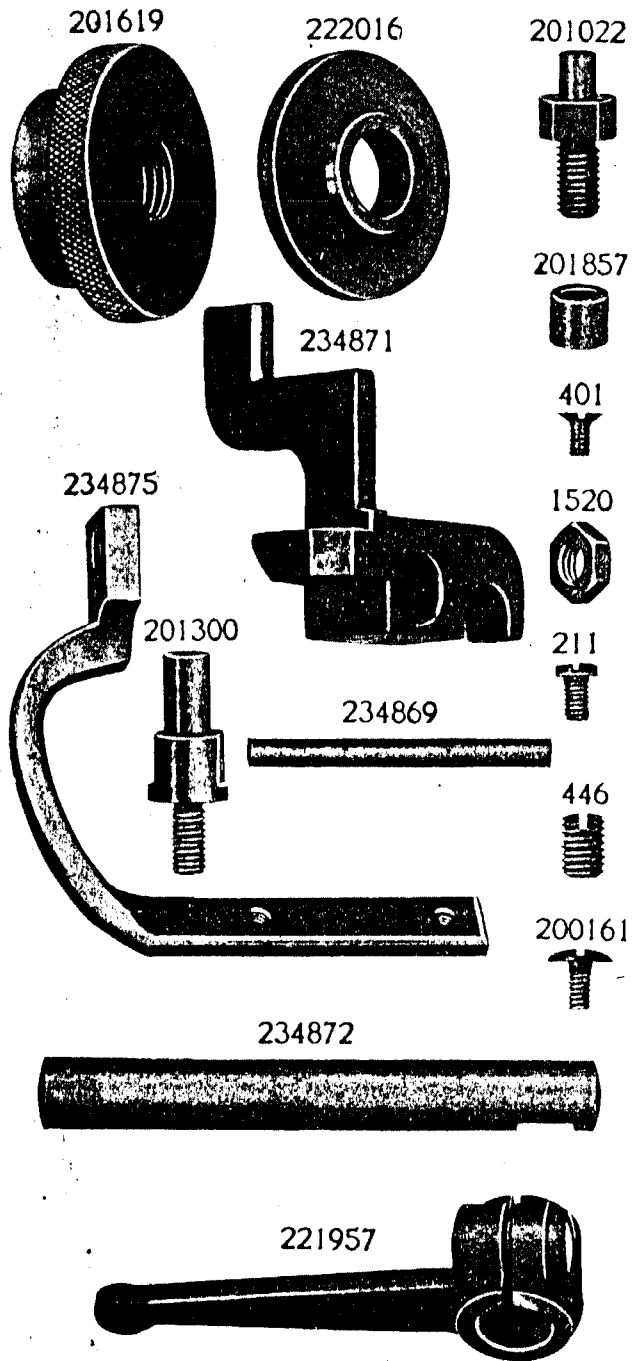


PLATE 12543—ONE-HALF SIZE

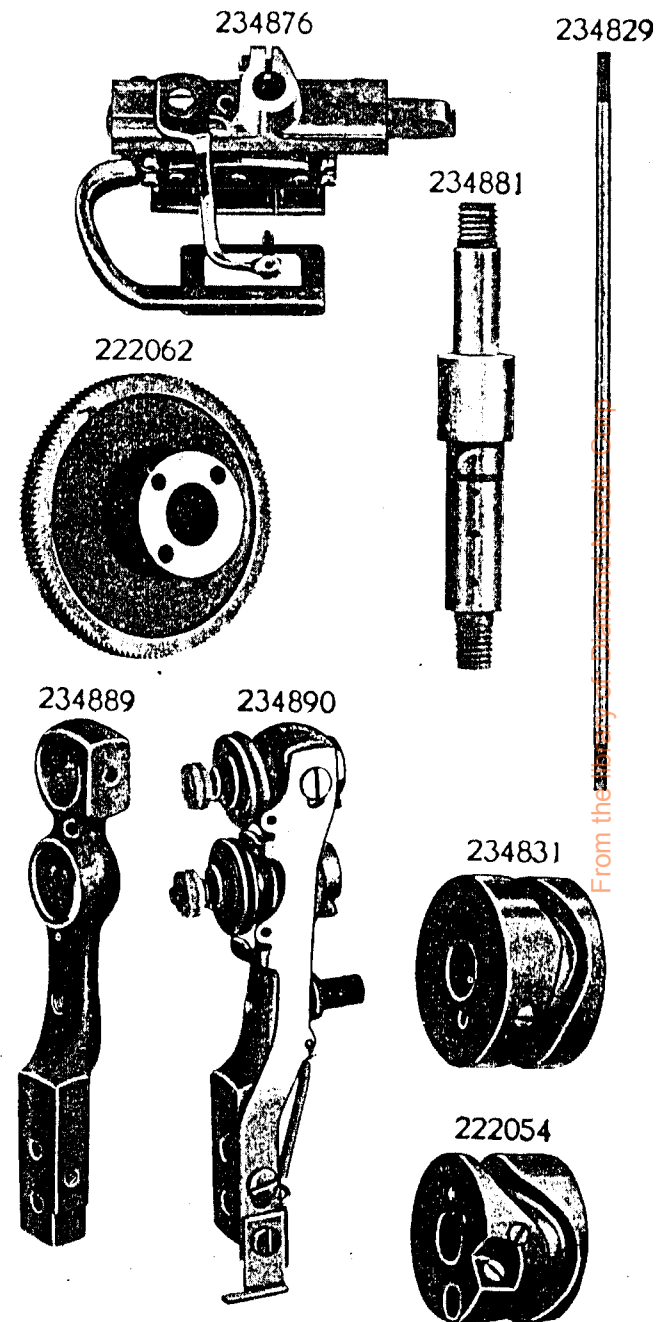


PLATE 12544—FULL SIZE

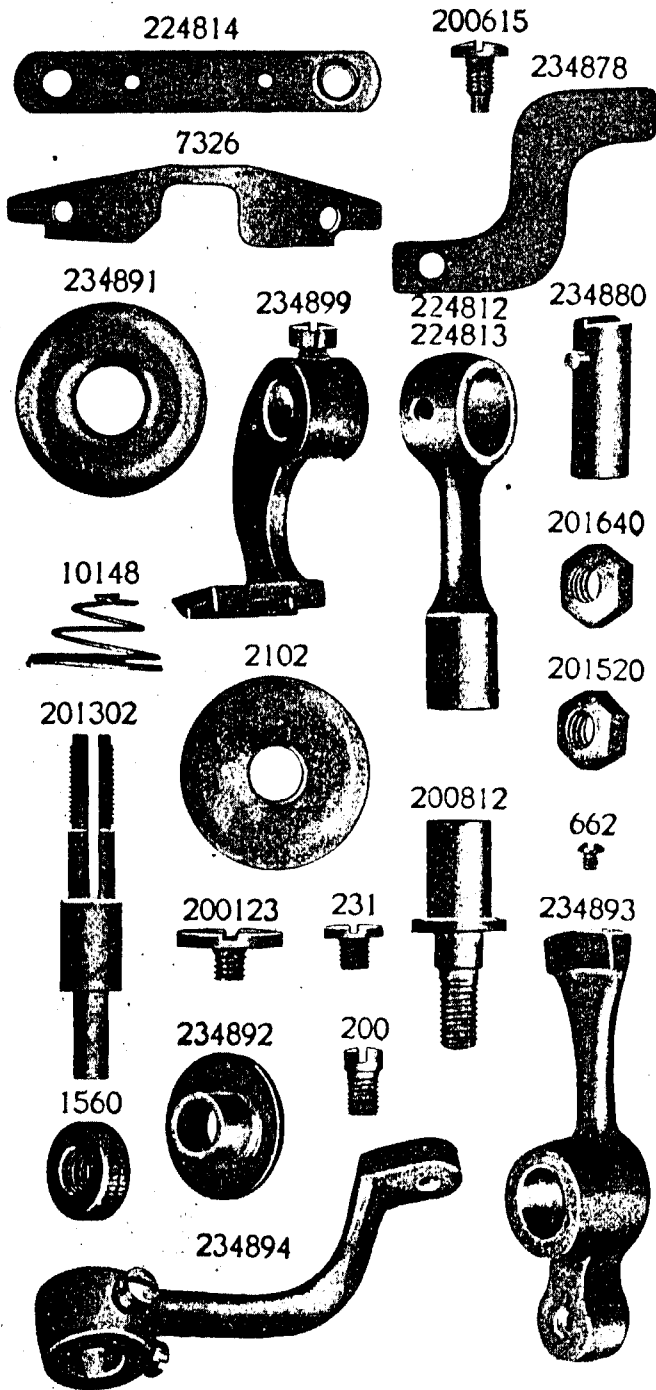
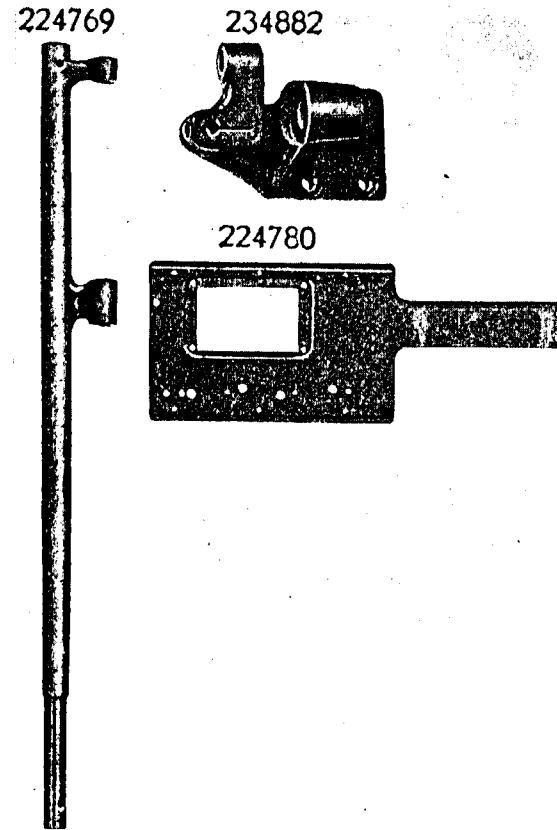


PLATE 12545—ONE-FOURTH SIZE



From the library of: Diamond Needle Corp

PLATE 12546--FULL SIZE

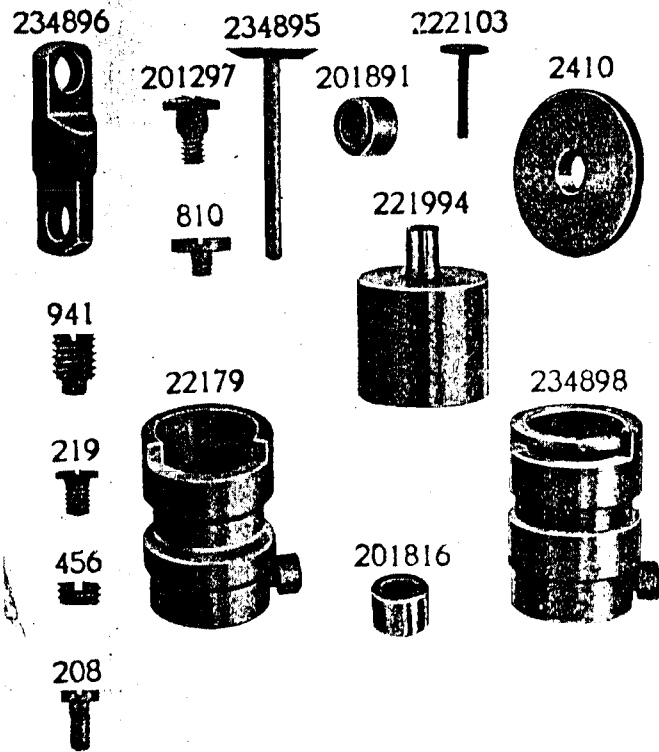
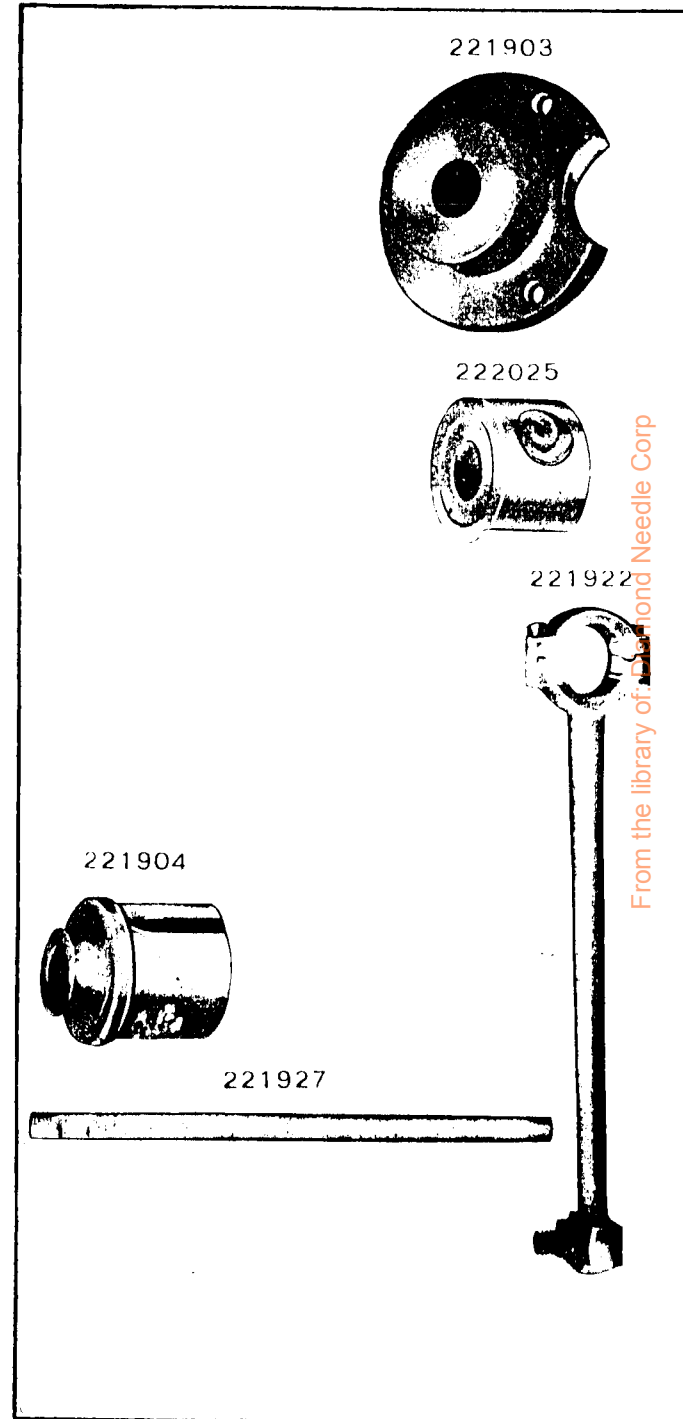


PLATE 12560--ONE-HALF SIZE



From the library of **Eastmond Needle Corp**

PLATE 12561 - ONE-FOURTH SIZE

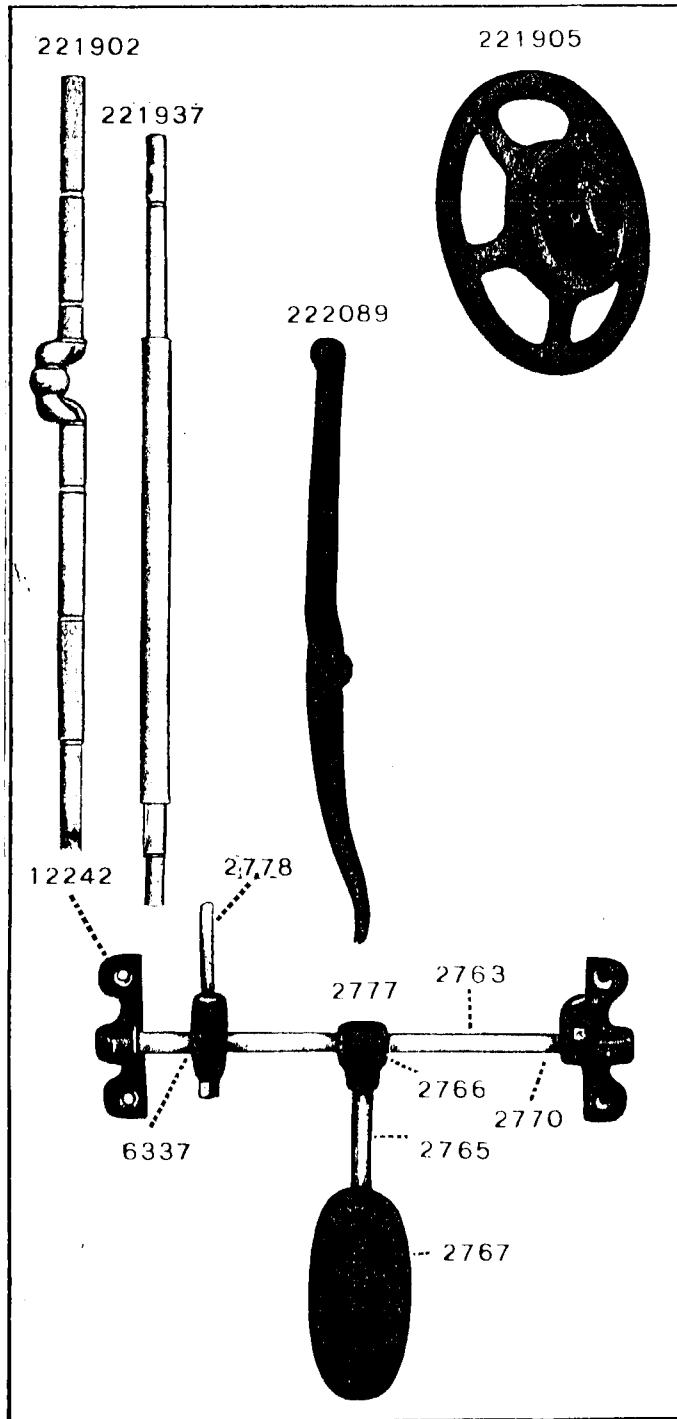


PLATE 12564 - FULL SIZE

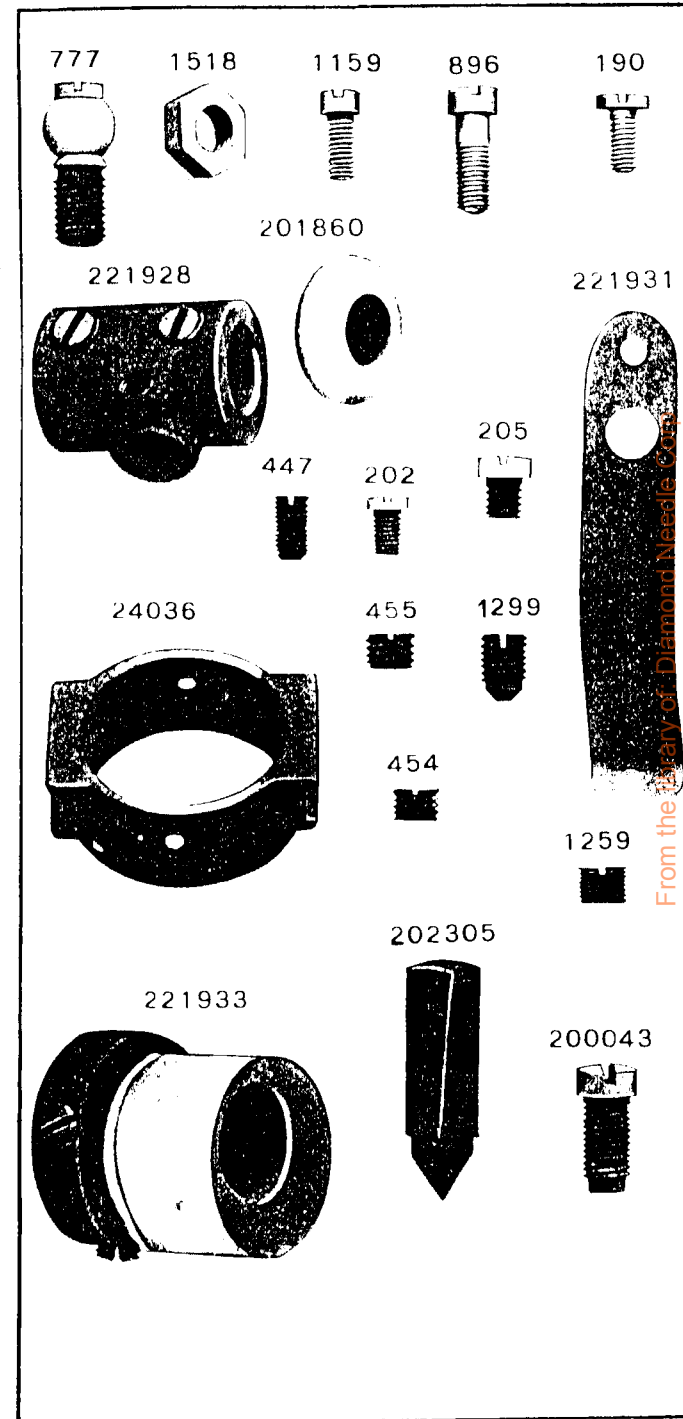


PLATE 12566 -FULL SIZE

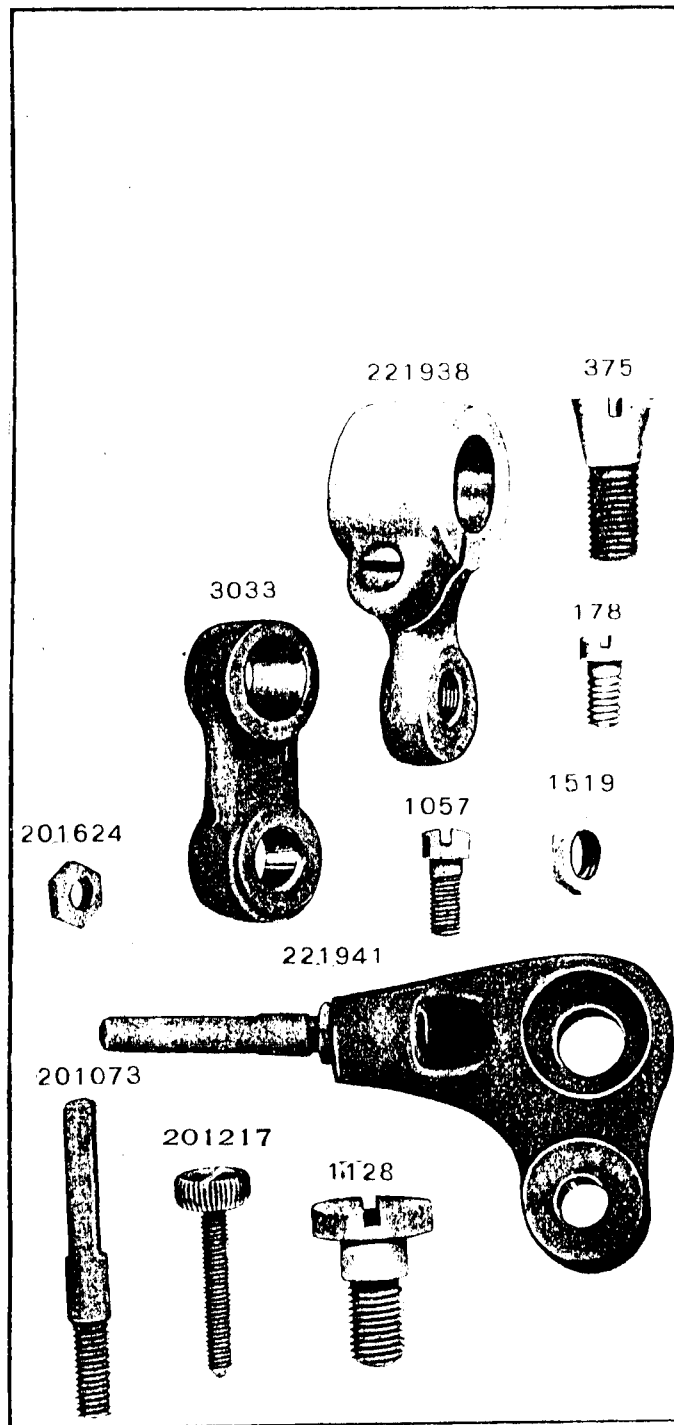


PLATE 12567 -FULL SIZE

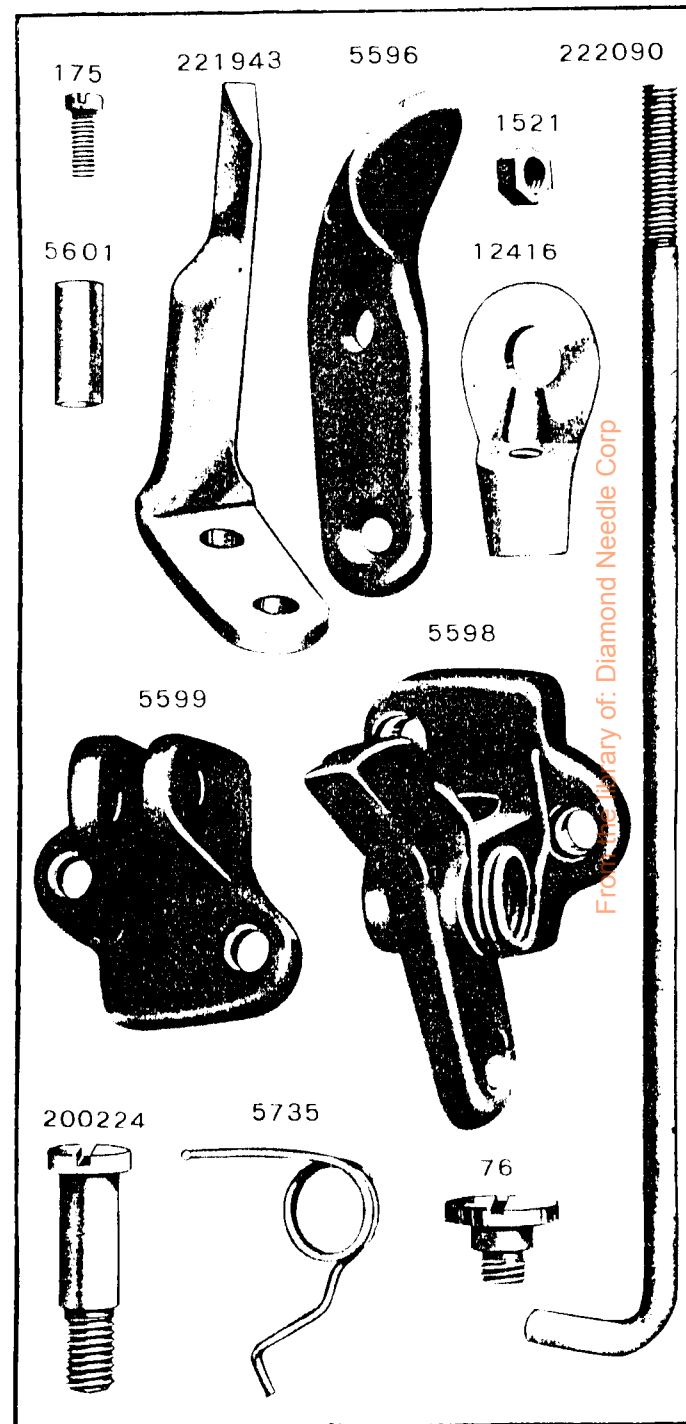


PLATE 12574 -FULL SIZE

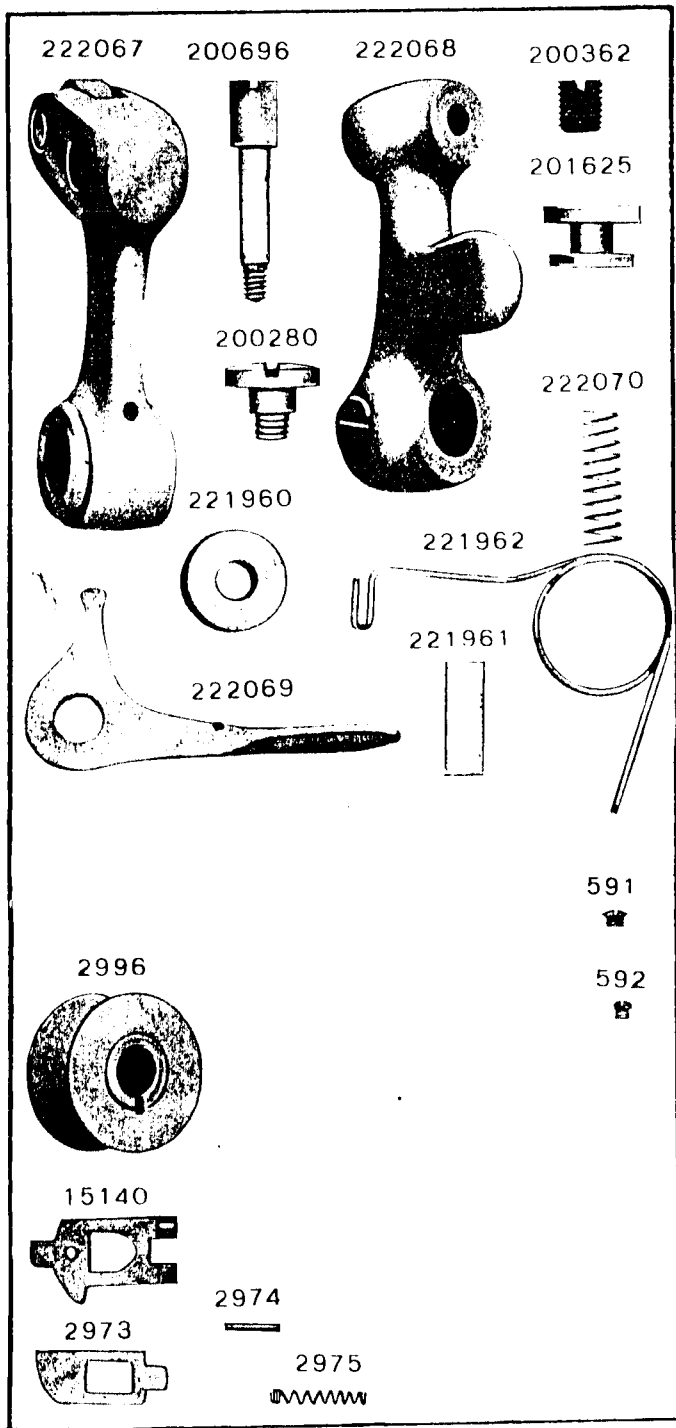
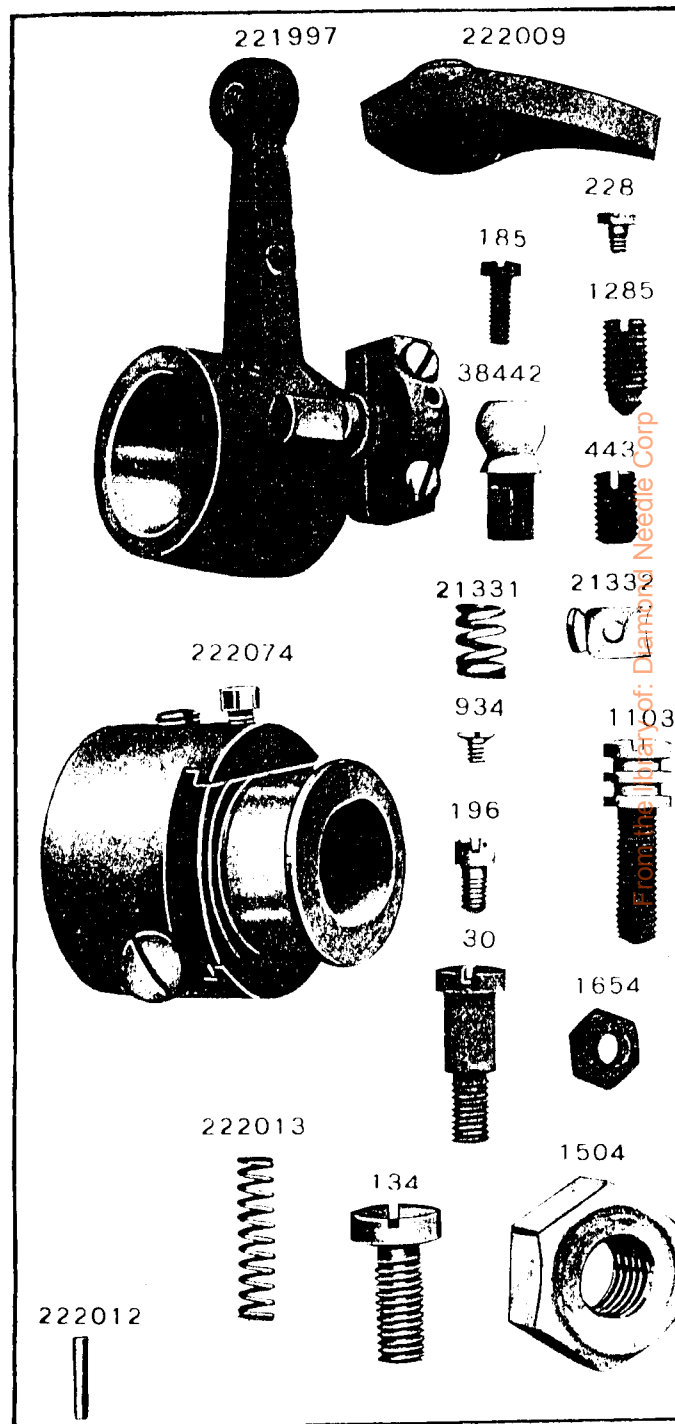


PLATE 12575 -FULL SIZE



From the Library of: Lamborn Needle Corp

PLATE 12576 -FULL SIZE

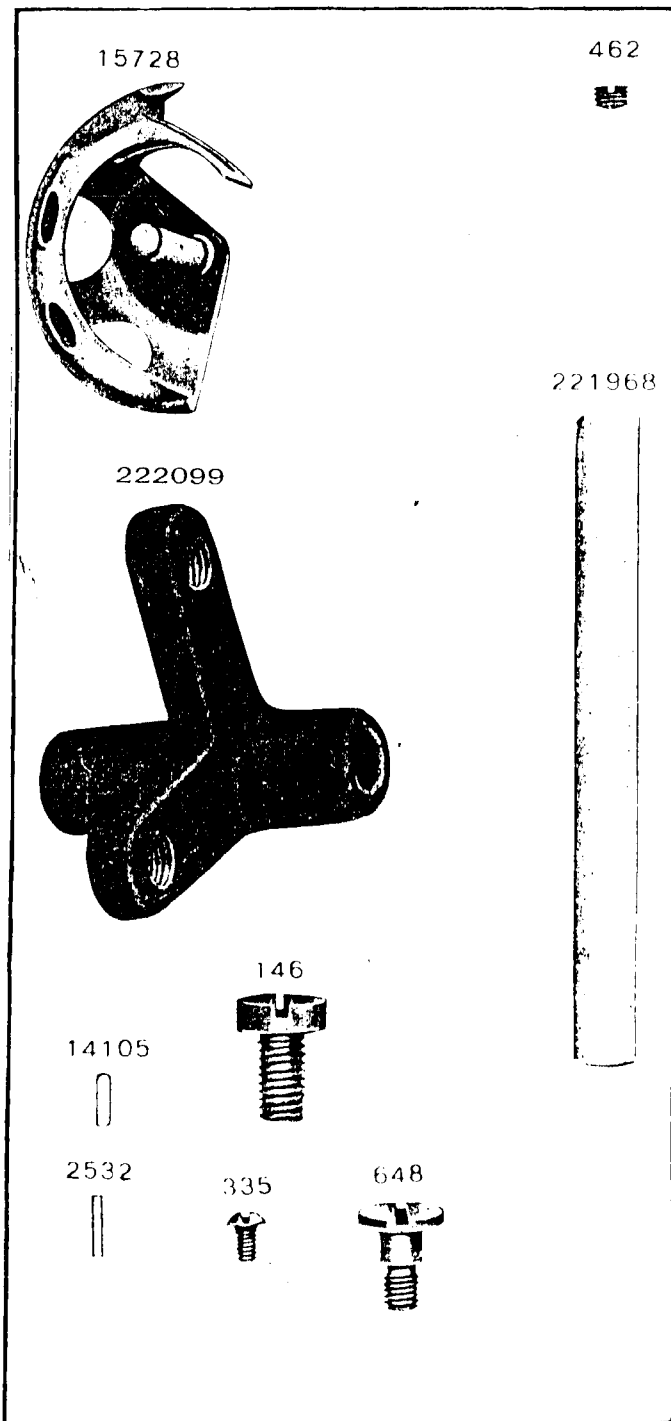
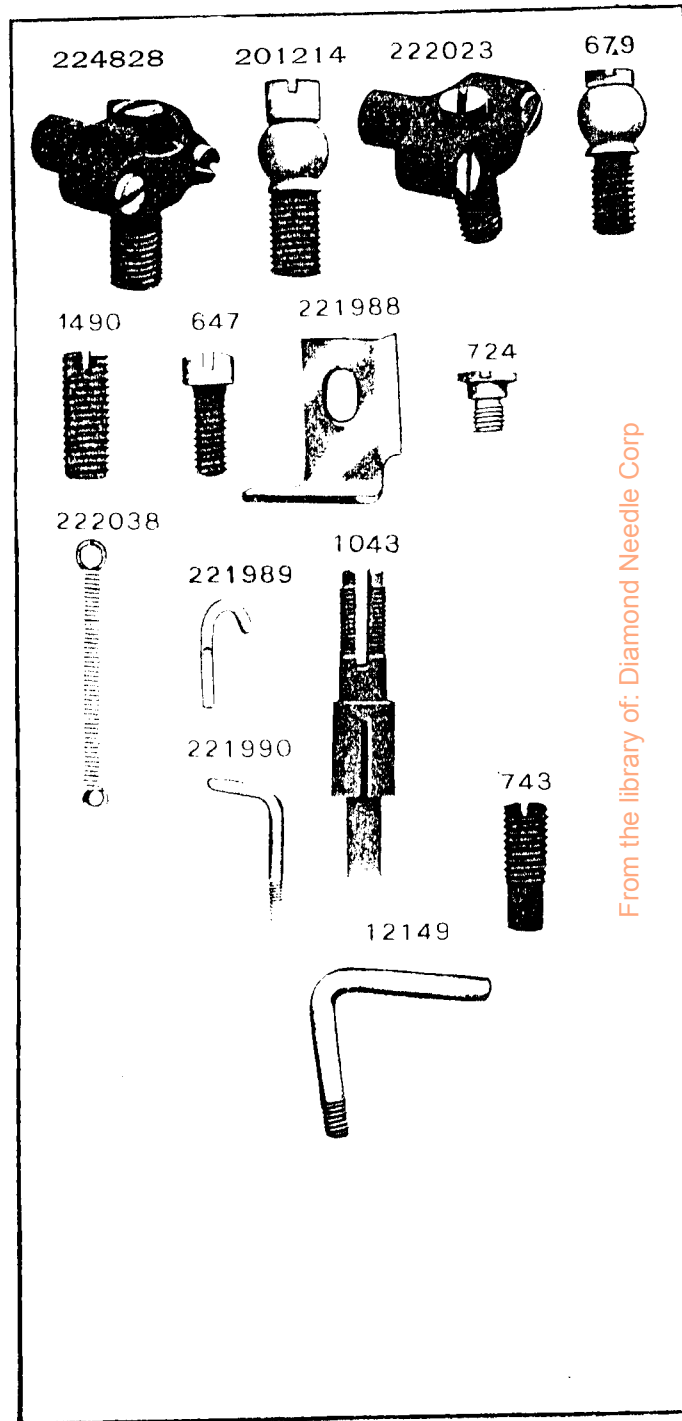


PLATE 12579 -FULL SIZE



From the library of: Diamond Needle Corp

PLATE 12581 -FULL SIZE

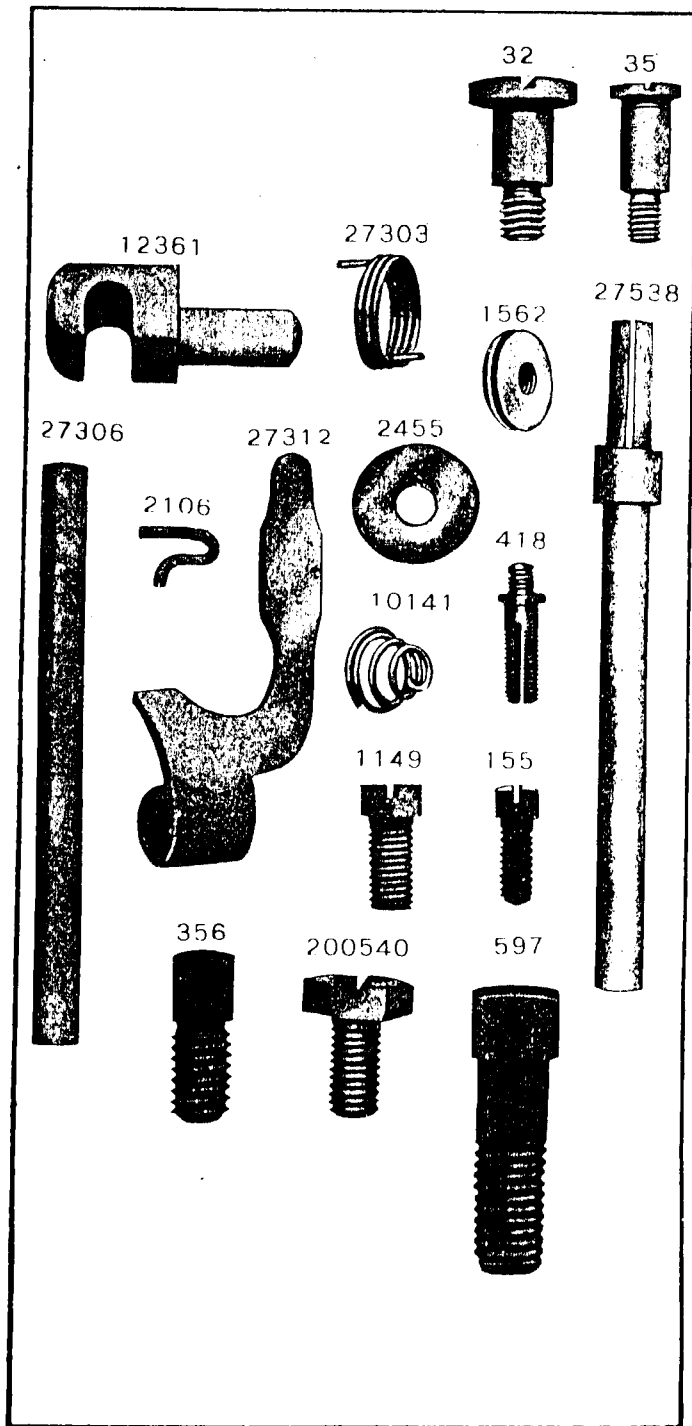
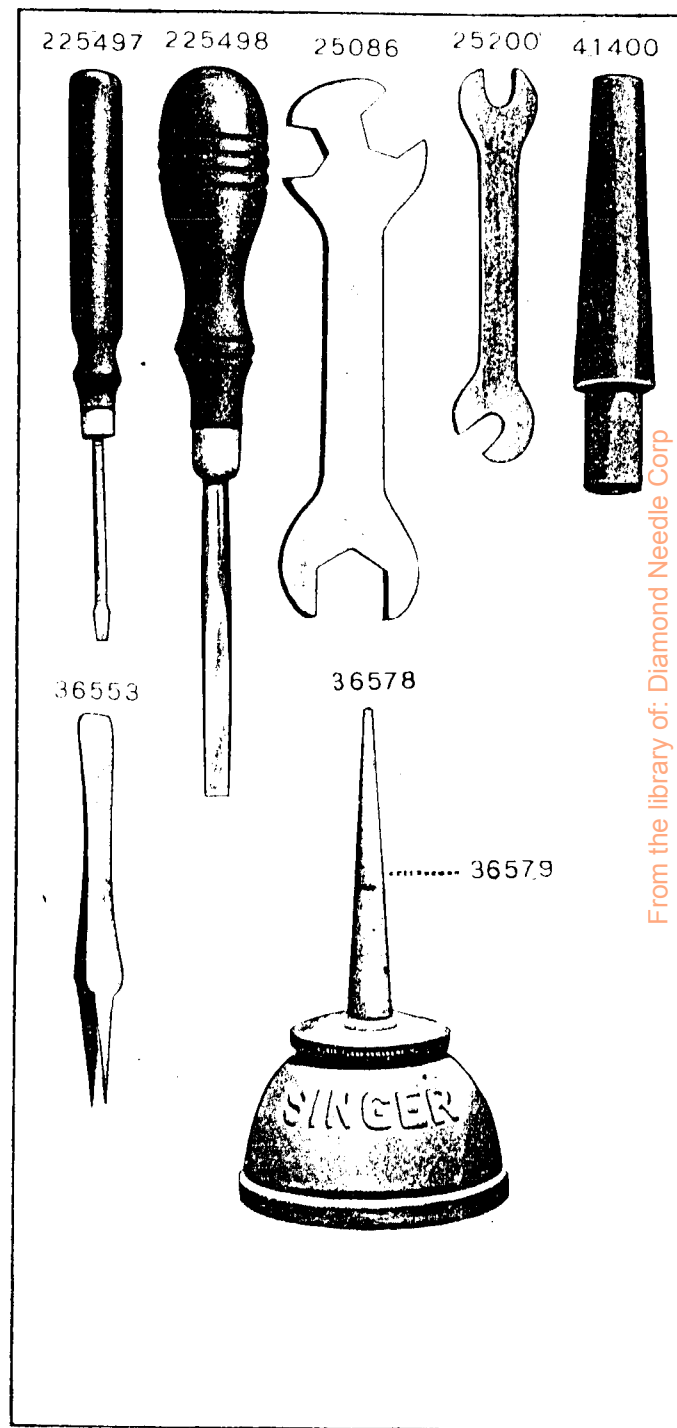


PLATE 12583-ONE-HALF SIZE



From the library of: Diamond Needle Corp

PLATE 12584-ONE-HALF SIZE

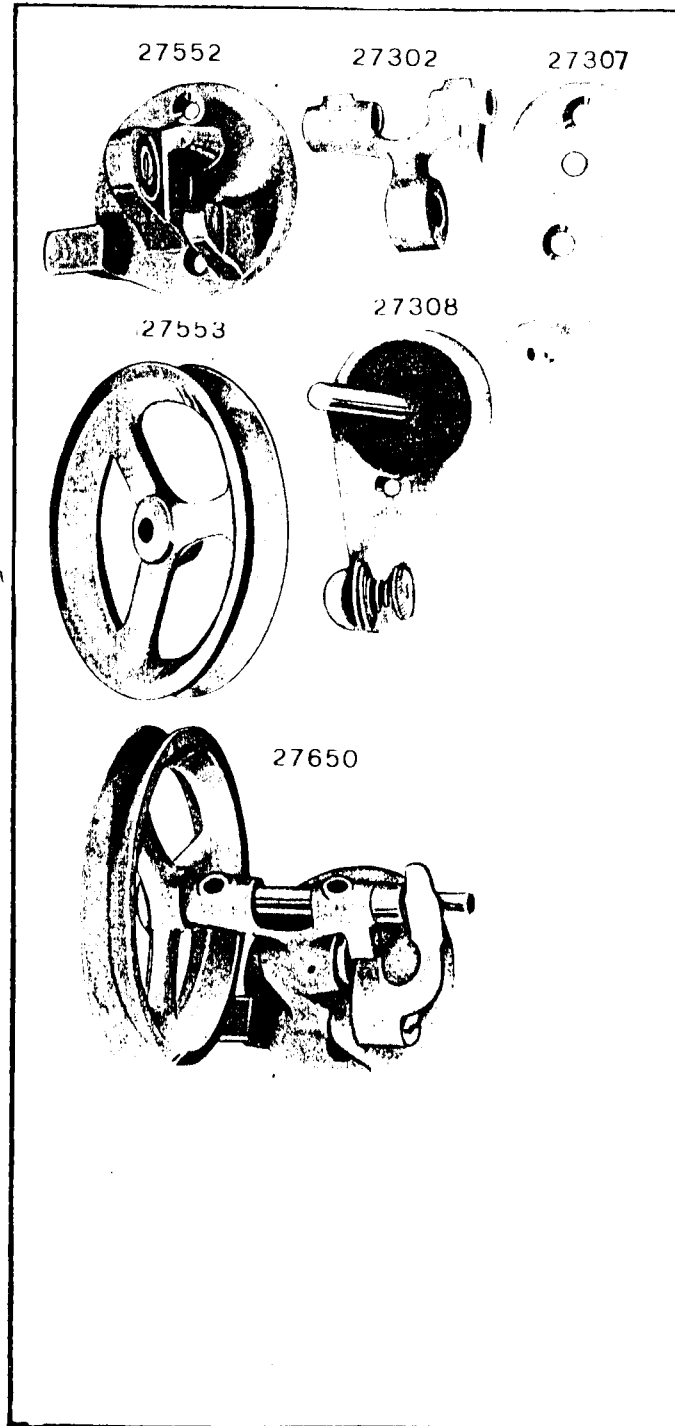


PLATE 12585-ONE-FOURTH SIZE

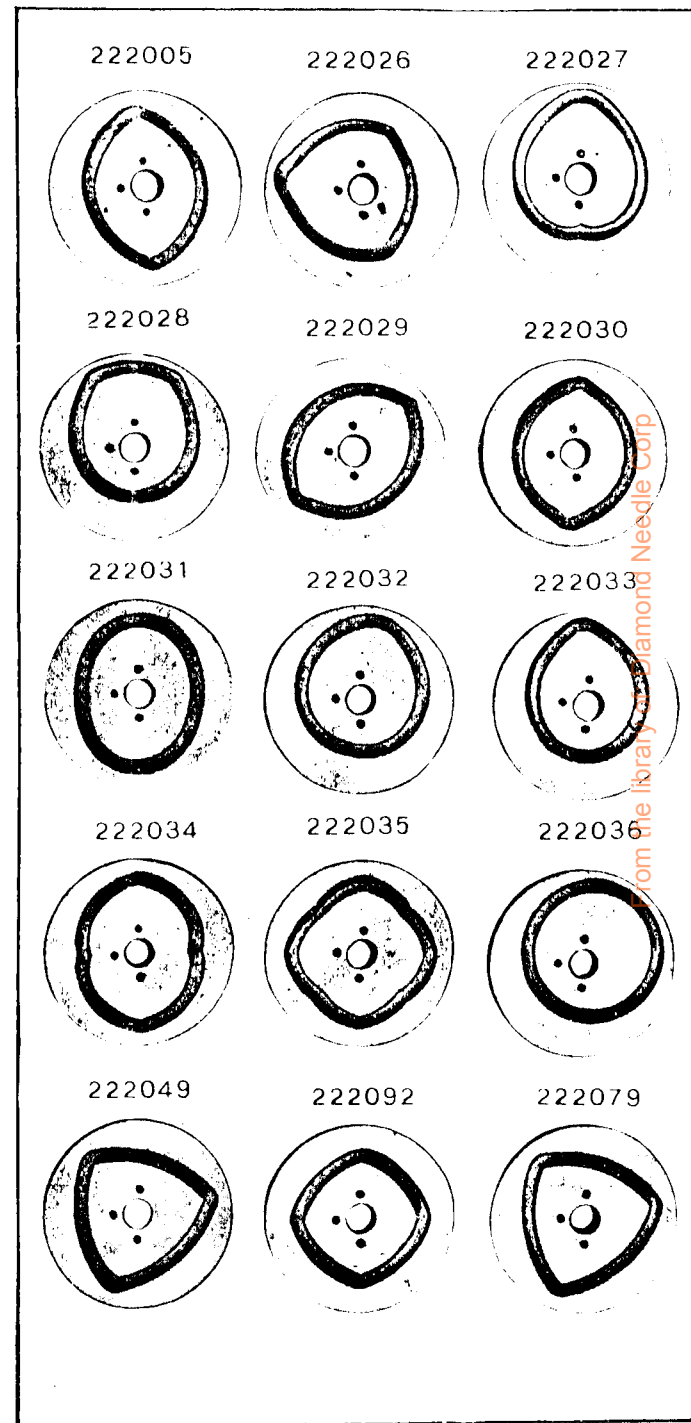


PLATE 12586—ONE-FOURTH SIZE

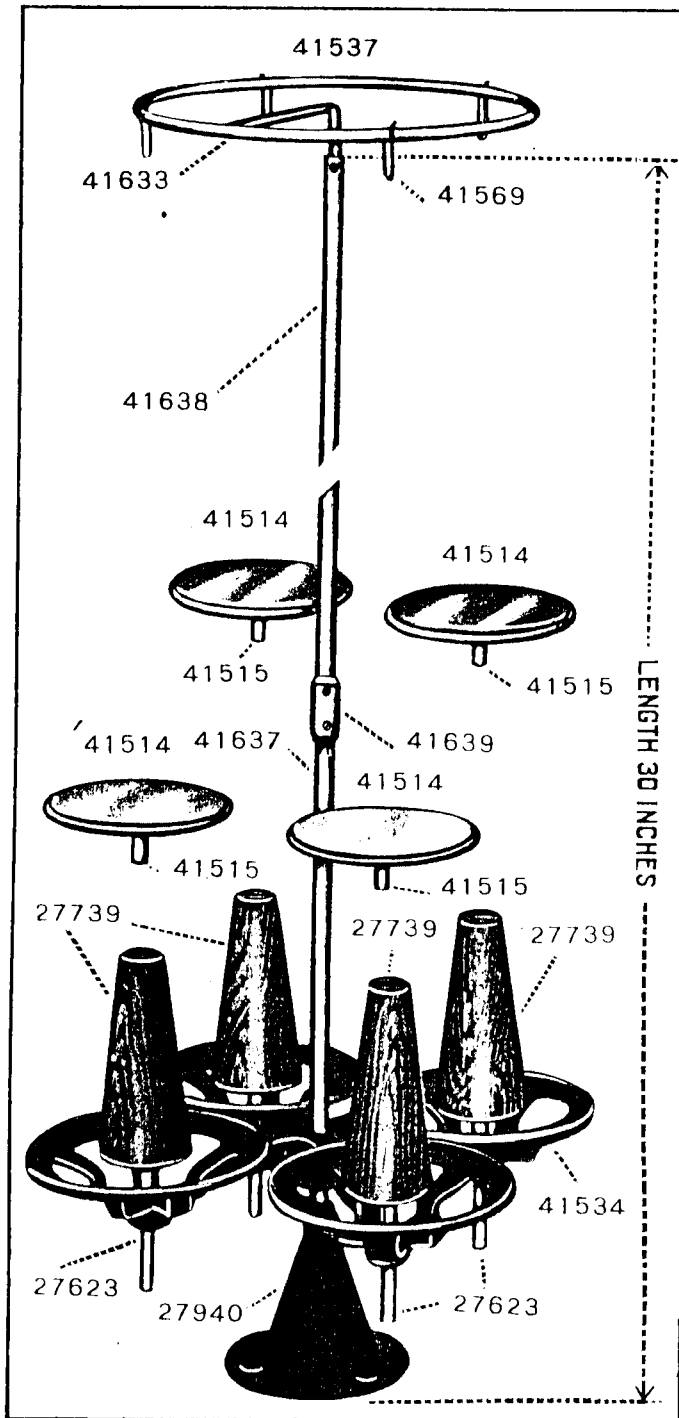


PLATE 12587—ONE-FOURTH SIZE

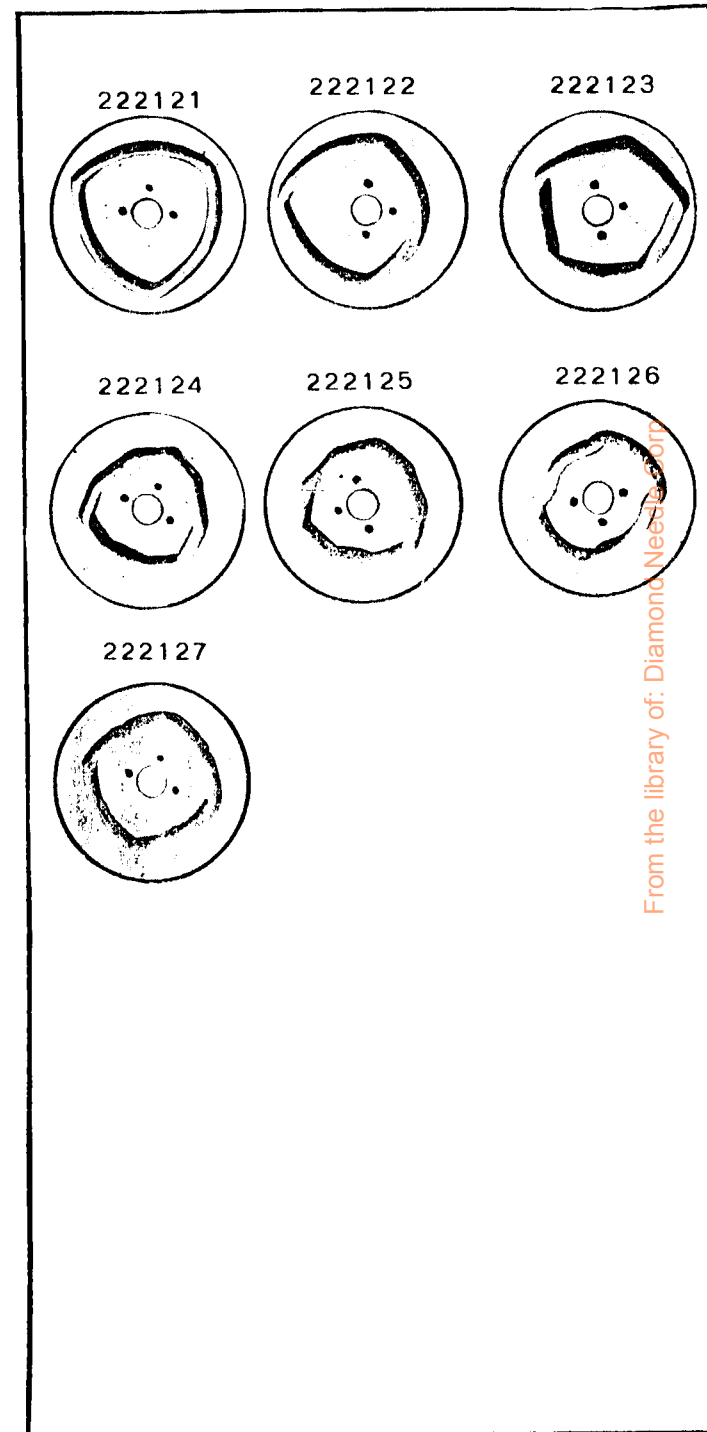
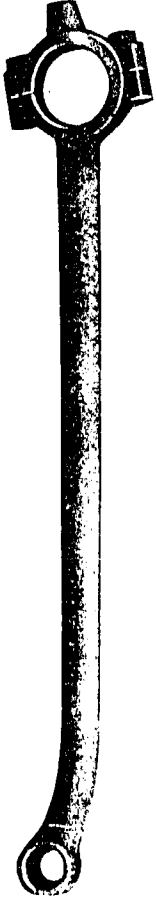


PLATE 12589—ONE-HALF SIZE

23672



224810

